



ZN8-T6TZF71

5MP IR Varifocal Turret Network Camera



Features

- 1/2.8" progressive scan CMOS
- Max. 5MP(2592×1944) @25/30fps resolution
- WDR, 3D DNR, ROI, HLC, BLC, Defog
- Support face, human, vehicle detection and capture
- Smart events: intrusion, single line crossing, double line crossing, loitering, wrong way, people counting
- Smart IR distance up to 40m
- Built-in microphone
- 1/1 channel audio input/output, 1/1 channel alarm input/output
- Built-in SD card slot, IP66, PoE
- NDAA Compliant

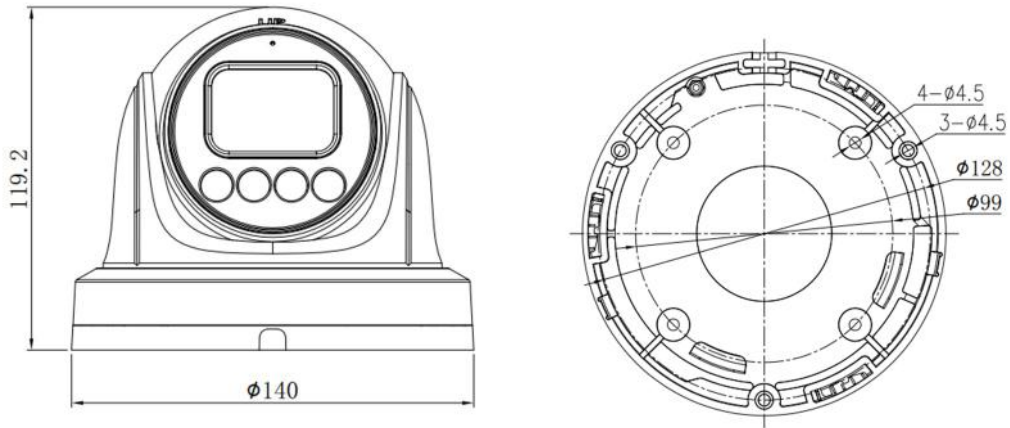


| Camera | |
|-----------------------------|---|
| Image Sensor | 1/2.8" Progressive Scan CMOS |
| Max. Resolution | 5MP (2592×1944) |
| Electronic Shutter | Auto/Manual, 1/5 ~ 1/20,000s |
| Min. illumination | Color: 0.03 Lux @ (F1.6, AGC ON) , BW: 0 Lux @ (IR LED ON) |
| Day & Night | IR cut filter |
| IR Distance | Up to 40 m (131.2 ft) |
| Illumination On/Off Control | Auto/Manual |
| Pan/Tilt/Rotation Range | Pan: 0° ~ 355°, Tilt: 0° ~ 80°, Rotation: 0° ~ 360° |
| Lens | |
| Lens Type | Motorized |
| Iris | Fixed Iris |
| Focal Length | 2.7 ~ 13.5 mm |
| F Number | F1.6 |
| Angle of View | H: 87.5° ~ 26°, V: 64.8° ~ 19.9° |
| Video | |
| Streaming Capability | 3 Streams |
| Stream/Frame Rate | Stream1: 2592×1944, 2592×1520, 1920×1080, 1280×720 @ 25/30fps Stream2: D1, VGA, CIF @ 25/30fps Stream3: VGA, CIF, QVGA @25/30fps |
| Bit Rate Control | CBR/VBR |
| Bit Rate | Stream1: 200kbps~12Mbps Stream2: 100kbps~6Mbps Stream3: 100kbps~3Mbps |
| Region of Interest | Off/On (8 Zone, Rectangle) |
| Smart Encode | Support |
| Image | |
| Image Adjustment | Brightness, Sharpness, Contrast, Saturation adjustable |
| Aisle Mode | Support |
| Mirror | Support |
| White Balance | Auto/Manual |
| Day/Night Setting | Auto, Day, Night, Time |
| Smart IR | Support |
| Noise Reduction | 2D/3D DNR |
| Image Enhancement | HLC, BLC, Defog |
| Wide Dynamic Range | True WDR |
| S/N Ratio | 55dB |
| Motion Detection | Support |
| Privacy Masking | Support |

| Smart Function | |
|------------------------|--|
| Multi-Object Detection | Supports face, human, vehicle detection and capture |
| Smart Events | Intrusion, Single line crossing, Double line crossing, Loitering, Wrong way, People counting Support alarm triggering by specified target types (human and vehicle) |
| Audio | |
| Compression | G.711, RAW_PCM |
| Bit Rate | 8kbps, 16kps, 64kbps |
| Network | |
| Protocols | IPv4/IPv6, 802.1x, HTTP, HTTPS, TCP/IP, UDP/IP, RTSP, DHCP, NTP, RTP/RTCP, PPPoE, SMTP, DNS, UPnP, FTP, ARP, SNMP, TLS/SSL |
| Interoperability | ONVIF, SDK, CGI |
| Streaming Method | Unicast |
| Max. User Access | 10 Users |
| Web Viewer | <IE11, Chrome, Firefox, Microsoft Edge |
| Language | English, Chinese, Polish, Italian, Portuguese, Spanish, Russian, French, Czech, Hungarian. Default: English |
| Interface | |
| Network Interface | 1 Ethernet (10/100 Base-T) RJ-45 Connector |
| Audio Interface | 1ch Input, 1ch Output |
| Built-in Microphone | Yes |
| Alarm Interface | 1ch Input, 1ch Output |
| Reset Button | Support |
| SD Card Slot | Built-in, up to 256GB |
| Electrical | |
| Power Supply | DC12V (-25%~+10%)/POE (IEEE 802.3af) |
| Power Consumption | Max 7.5 W |
| Operating Temperature | -40°C ~ 55°C (-40°F ~ 131°F) |
| Operating Humidity | Less than 90% RH |
| Ingress Protection | IP66 |
| Certifications | CE/FCC |
| Casing | Metal + Plastic |
| Dimensions | φ 140×119.2 mm (5.51×4.69 inch) |
| Net Weight | 0.9 kg (1.98 lb) |



Dimensions (mm)



Specifications are subject to change without notice.