



# ZN8-CBK645D

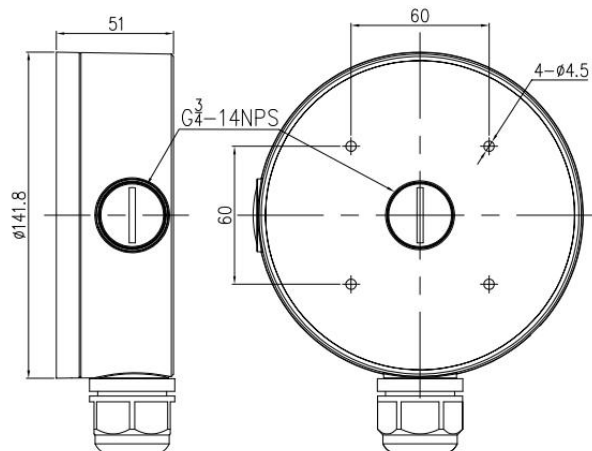
## Junction Box



### Specification

Parameter	
Applicable Model:	Junction box for ZN8-T6TZF71
Material	Aluminum alloy + Plastic
Color	White
Operating Humidity	0% - 90% RH
Load Bearing	3 kg (6.61 lb)
Product Dimensions	$\phi 141.8 \times 51\text{mm}$ ( $\phi 5.58 \times 2.0''$ )
Product Weight	0.58kg (0.66 lb)

### Dimensions (mm)



Specifications are subject to change without notice.