



ZN8-CBK201A

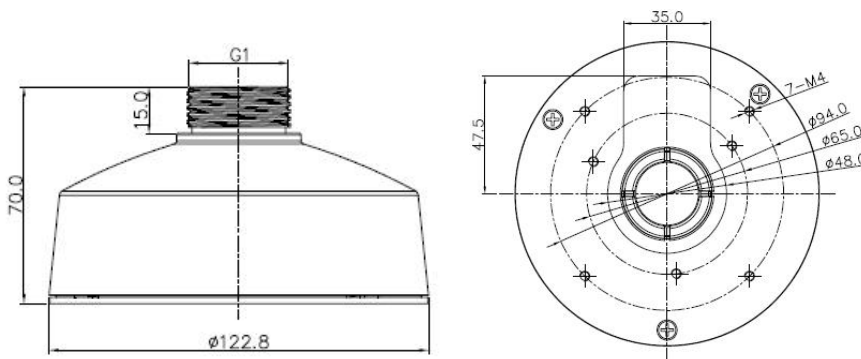
Pendant Mount



Specification

| Parameter | |
|--------------------|---|
| Applicable Model: | Pendant Mount for ZN8-F12F18NL |
| Material | Aluminum alloy |
| Color | White |
| Operating Humidity | 0% - 90% RH |
| Load Bearing | 3 kg (6.61 lb) |
| Product Dimensions | $\phi 122.8 \times 70\text{mm}$ ($\phi 4.83 \times 2.76''$) |
| Product Weight | 0.25kg (0.55 lb) |

Dimensions (mm)



Specifications are subject to change without notice.