



20MP 360° Surround View IP Camera with Video Analytics

GANZ
PixeIPro

WITH
GXi
TECHNOLOGY

ZN1A-4D6DTMZ67

Features:

- 4 x 5MP (20MP), 30fps at 5MP per sensor
- GXi Video Analytics
- H.265, H.264 and MJPEG compression
- Flexible positioning for four camera heads
- Easy position setting by a magnet
- One IP Address for four video streams in CORTROL VMS
- SMART Bit-rate control and Region of Interest
- Suitable for indoor or outdoor use
- NDA Compliant

ZN1A-4D6DTMZ67

20MP 360° Surround View IP Camera

Specifications

MODEL	ZN1A-4D6DTMZ67
Image Sensor	4 x SONY STARVIS EXMOR 1/2.8" 5M CMOS
Effective Pixels	2592(H) x 1944(V) per sensor
Scanning System	Progressive scanning
AGC Control	Auto
Iris Type	Auto Exposure
Minimum Illumination	Color: 0.13 Lux / B/W : 0.005 Lux
Lens	2.8 – 8 mm, F1.6, Motorized Focus & Zoom lens
Angle of View	Horizontal: Approx. 93° (Wide) to 51° (Tele)
Shutter Time	Auto / Manual: 1/30 ~ 1/32,000, Anti-Flicker, Slow Shutter (1/2,1/3,1/5,1/6,1/7.5,1/10)
Day & Night	True Day & Night (Removable IR-cut filter)
Wide Dynamic Range	True WDR, 120 dB or above
S/N Ratio	50 dB
VIDEO	
Video Compression	H.265, H.264, MJPEG
Profile	H.264: MP / HP, H.265: MP
Multiple Profile Streaming Performance	2592x1944/30 + 480p 30 bandwidth H.264, H265 + MJPEG
Max Resolution	2592 x 1944
Video Bit-Rate	100Kbps ~ 10Mbps Multi-rate for Preview and Recording
Bit rate Control	Multi Streaming CBR/VBR (Controllable Frame-rate and Bandwidth)
Digital Noise Reduction	3D-DNR
Privacy Mask	16 programmable zones
Special Features	SMART Bit-rate Control, Region of Interest
Other Image Processing	Configurable Exposure, White Balance, Sharpness
Analog Output	1 (installation only) CVBS 1.0V p-p (75 Ω), 4:3 aspect ratio

All specifications are subject to change without notice.

ZN1A-4D6DTMZ67

20MP 360° Surround View IP Camera

Specifications (continued)

AUDIO	
Audio Compression	G.711
Audio input / output	1 / 1 (for the first camera)
EVENT	
Event Trigger	Motion Alarm, Temperature-critical, DI
Pre-Post Recording	Pre: 1~5 sec / Post: 1~240 sec
Event Notification	FTP, E-mail, Alarm-out, SD card
NETWORK	
Ethernet Standard	10/100/1000Base-T (1Gbps)
IP	IPv4
Protocol	TCP/IP, UDP, Auto IP, RTP(UDP/TCP), RTSP, NTP, HTTP, HTTPS, SSL, DNS, DDNS, DHCP, FTP, SMTP, ICMP, SNMPv1/v2/v3 (MIB-2), ONVIF
Security	HTTPS (SSL), IP filtering, 802.1x, Digest Authentication
Plug-in	ONVIF Profile S, CGI API
GENERAL	
Material	Aluminum Die-casting, White
External I/O Terminals	1 x Alarm In / 1 x Alarm Out (for the first camera)
Language on Web Page	English
Power Source	12VDC, PoE+(IEEE 802.3at Class4)
Power Consumption	12VDC Max 23W, PoE Max 25W
Operating Conditions	-4°F ~ 122°F (-20°C ~ 50°C) 12VDC / PoE Humidity 10 ~ 90% RH (non-condensing)
Approvals	FCC, CE, IP66
Weight	4.2 lbs. (1.9 kg)
Dimensions (D X H)	Ø8.3" x 3.6" (Ø210mm x 92mm)
EDGE STORAGE	
Storage	1x microSD / microSDHC / microSDXC (card not included)

Specifications are subject to change without notice.

ZN1A-4D6DTMZ67

20MP 360° Surround View IP Camera

GXi Video Analytics

BASIC FEATURES

Analytics Engine

Advanced tracking algorithm with rich library of detection behaviors

Detection Zones and Rules

40 zones (Multi-segment Polygons and Lines) in total, 60 rules in total as standard

Intrusion Detection

Detection of the presence of an object

Tamper Detection

Supported as standard

OPTIONAL FEATURES

Detection Behavior

Enter, Exit, Appear, Disappear, Stop, Direction, Dwell filter, Speed filter*¹, Abandoned/Removed object filter, Tailgating, Color Filter*¹

Logical Rules

Extends standard rules to allow various combinations of the inputs

3D Behavior

Perspective Corrected Size and Speed Filters

Object Classification

Configured Max./Min. object sizes and Max./Min. speeds

People Tracking*¹

Tracks individuals separately among overlapped multiple people

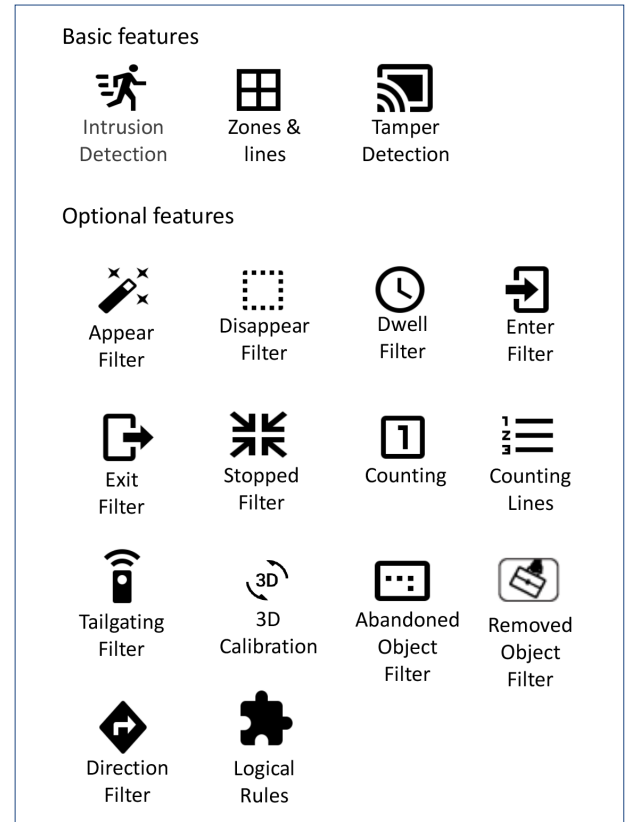
Counting Line

High accuracy people and vehicle counting, 20 counters in total

Meta Data

JSON format, Plain XML format

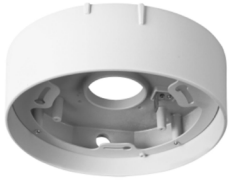
*¹: Please check the availability with your sales manager.



ZN1A-4D6DTMZ67

20MP 360° Surround View IP Camera

Accessories



Surface Mount
SMB-8000



Wall Mount
WMB-8000



Ceiling Mount
CMB-8000



Pole Mount Adapter
PMA-8000

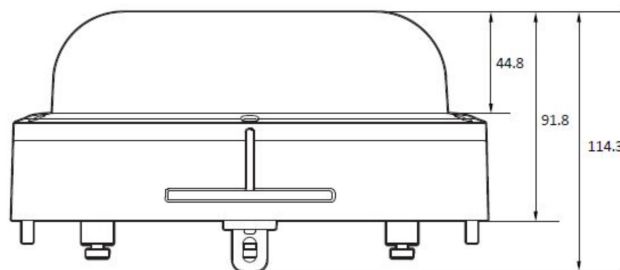
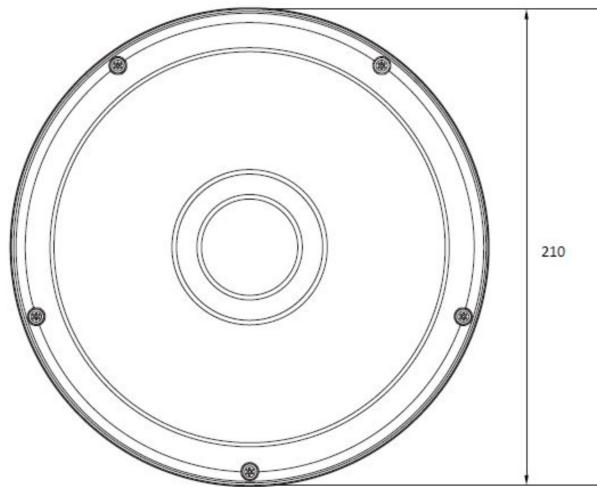


Corner Mount Adapter
CMA-8000

**Note: To install ZN1A-4D6DTMZ67, one of the above three (3) brackets is required.

Dimensions

(Unit: mm)



Specifications are subject to change without notice.