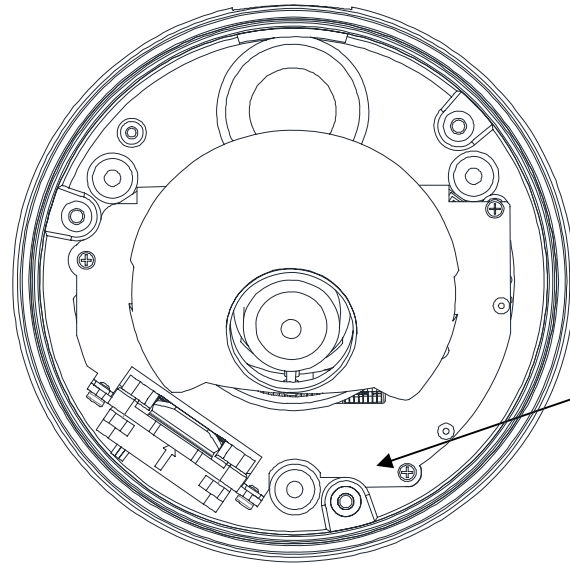


# GANZ ZN-DNT352XE Quick User Guide

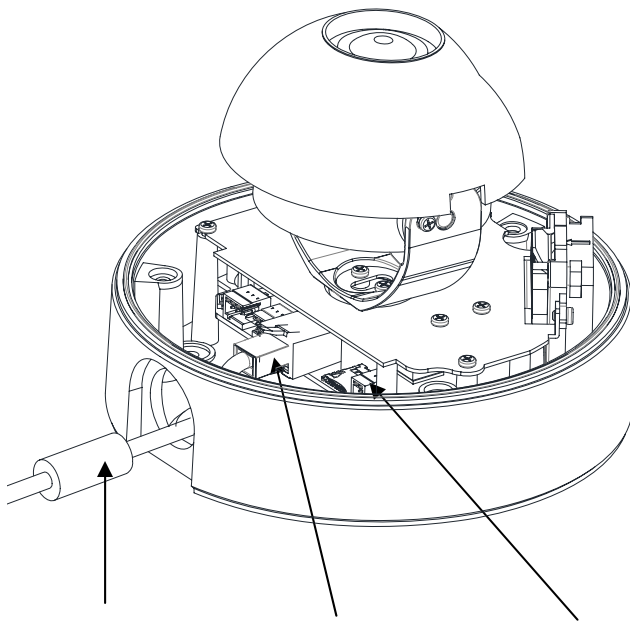
This manual provides instructions for quick installation and basic configuration of your IP device.

## Step1. Connect cables to IP device

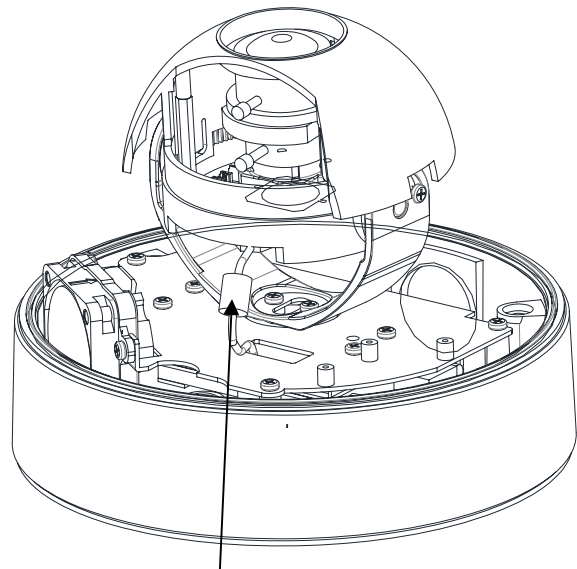
Connect required cables to the device including the power cable, LAN cable, and other optional cables. To see the correct positions of all connectors, refer to the following image below.



Reset Button  
\*This button is located under PCB.





Clamping Core      LAN Cable      Power Cable

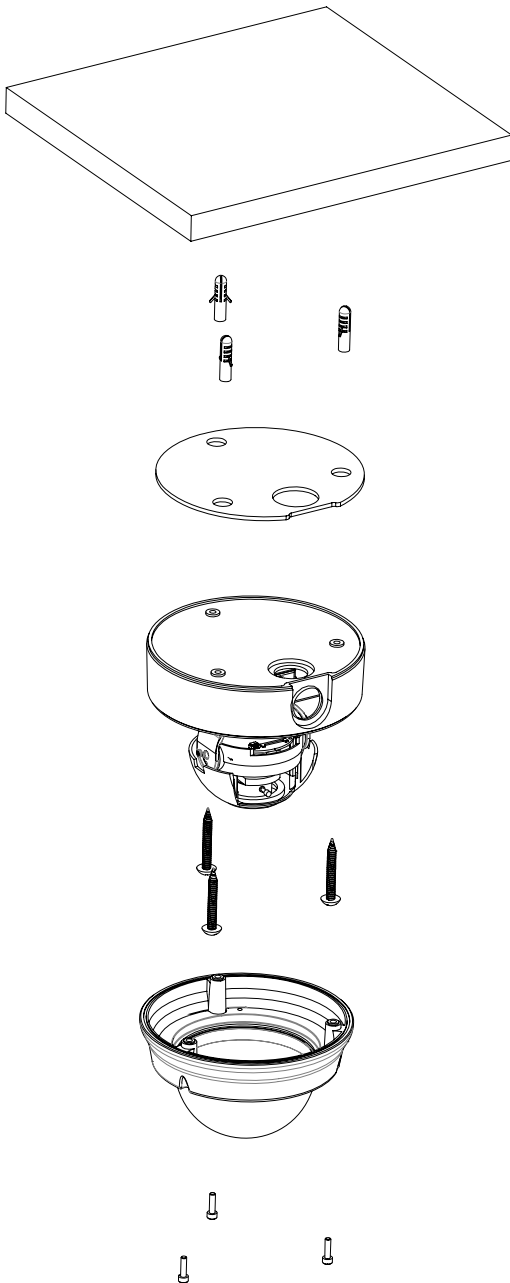


Clamping Core \*This uses to prevent electromagnetic interference

\* Models herein and their appearance are subject to change without any prior notice.

 <p><b>Caution</b></p>	<p>MIR illuminatorake sure the polarity is correct. Incorrect connection may cause malfunction or damage to the IP device</p>	<p>Power Adaptor Connector (DC 12V)</p> 
---	---	---

## Step2. Install IP device



1) Place the installation template that is provided in the package on the desired position of installation.

2) Attach the waterproof protection pad on the bottom plate of the device.

3) Drill three holes on the template and insert anchor blocks into the holes. Fasten the camera with screws.

4) Make sure the cables are properly connected.

5) Adjust the lens position by referring to the **Step 3**.

6) Put the dome cover on the main body of the camera. Make sure the main body and the cover fit each other into place.

7) Fasten the cover with screws.

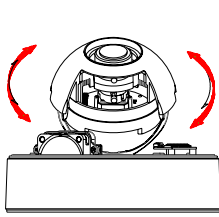


When assembling the main body of the camera and its dome cover, make sure they fit each other into place.

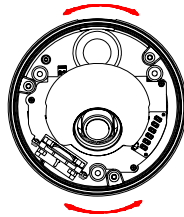
The camera may fall off the ceiling even after the proper installation and mounting. To prevent any accident, make sure the ceiling is firm and stable enough to support the camera. If any reinforcement is needed, consult with your safety personnel and proceed with the installation.

### Step3. Set the lens position

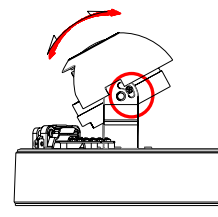
- 1) Remove the dome cover.
- 2) Adjust the lens to the desired position by manually moving its body in the following directions. After adjustment, fasten the screw of the rotation axis.



A. Rotate the lens



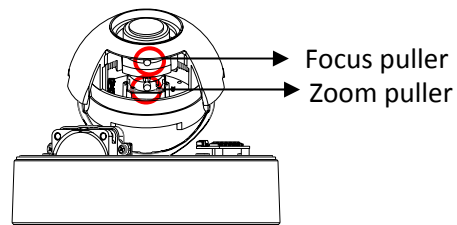
B. Pan the lens bottom holder



C. Tilt the lens

Connect to the web page of the device to see its real-time image. Refer to *step 6. Configuration* for details about using its web page.

- 3) Unscrew the zoom puller by turning it counterclockwise. Move it left or right and set the lens to the desired zoom position. After the setting, tighten the zoom puller again by turning it clockwise.



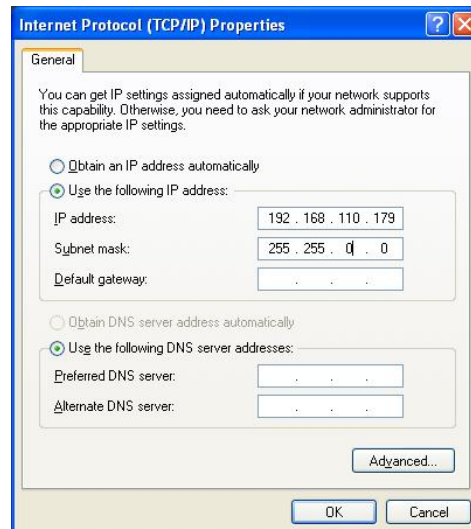
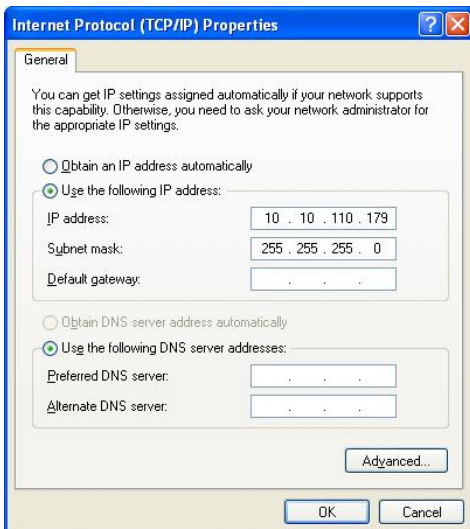
- 4) Unscrew the focus puller by turning it counterclockwise. Move it left or right and adjust the image focus. After the setting, tighten the focus puller again by turning it clockwise.

### Step4. Set up network environment

The default IP address of your IP device is 192.168.XXX.XXX. You can find the available IP address from the MAC address of your device. Please make sure the device and your PC are on the same network segment before running the installation. If the network segment was different between your PC and the device, change your PC's settings as below.

IP address : **192.168.xxx.xxx**

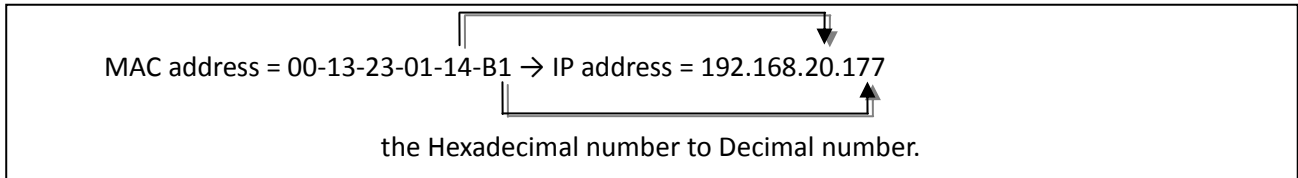
Subnet mask: **255.255.0.0**



## Step5. View video on web page

View the live video on a web page using your IP device and its IP address. To have the correct IP address ready and use it on a web page:

1. Convert a MAC address to an IP address. Refer to the Hexadecimal-Decimal Conversion Chart at the end of this manual.  
(The MAC address is attached on the side or bottom of the device.)



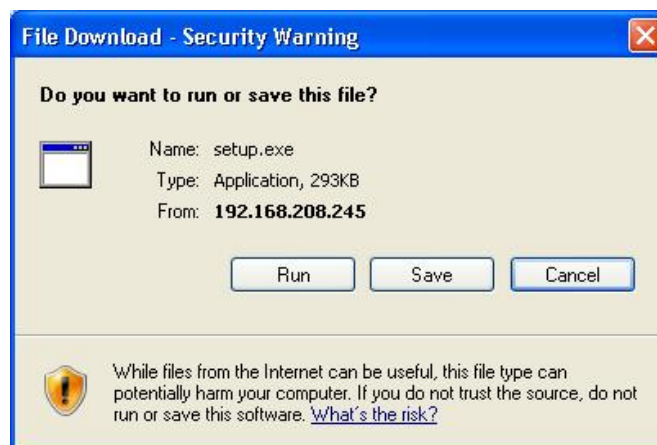
2. Open a web browser and enter the IP address of the device.
3. When the dialog box appears to request user name and password, enter the default value for the administrator account (case-sensitive) as below:  
**ID:** root  
**Password:** pass
4. Click the installation warning message on the view page and click the **Install** button on the warning message box. If the page is not responding after the installation, refresh the page.



5. Install the setup.exe file by clicking the link shown on the main page.



6. Follow the instructions of the dialog boxes and complete the installation.

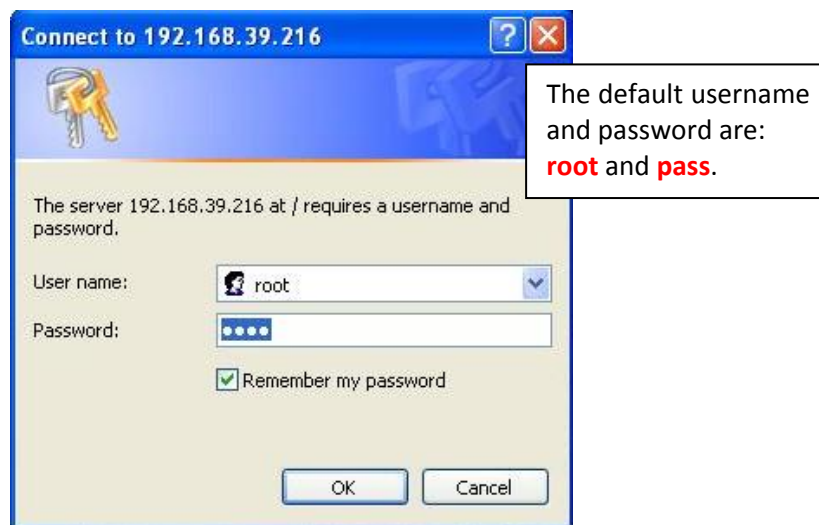


- When the dialog box appears to request user name and password, enter the default value for the administrator account (case-sensitive) as below:  
**ID:** *root*  
**Password:** *pass*
- Refresh the page and check if the live image is displayed successfully.

## Step6. Setting IP Address

To set up the Network configuration:

- Click **Setup** on the upper right of the web page. The login page is displayed as below.
- Enter the default user name (*root*) and password (*pass*), and then select **OK**.



- Click **System Options** on the left of the **Setup** page, and then select **TCP/IP** from the drop-down menu.
- Input the data for the IP address configuration, and click the **Apply** button on the bottom of the page.

To change the IP address, please make sure to check and have the correct Subnet mask and Gateway ready. To use DHCP, select **Obtain an IP address via DHCP**.

To learn how to set up the web page for advanced configuration, refer to the Web Page User's Manual, which is available on the SDK at the following path.

{SDK root}\DOC\

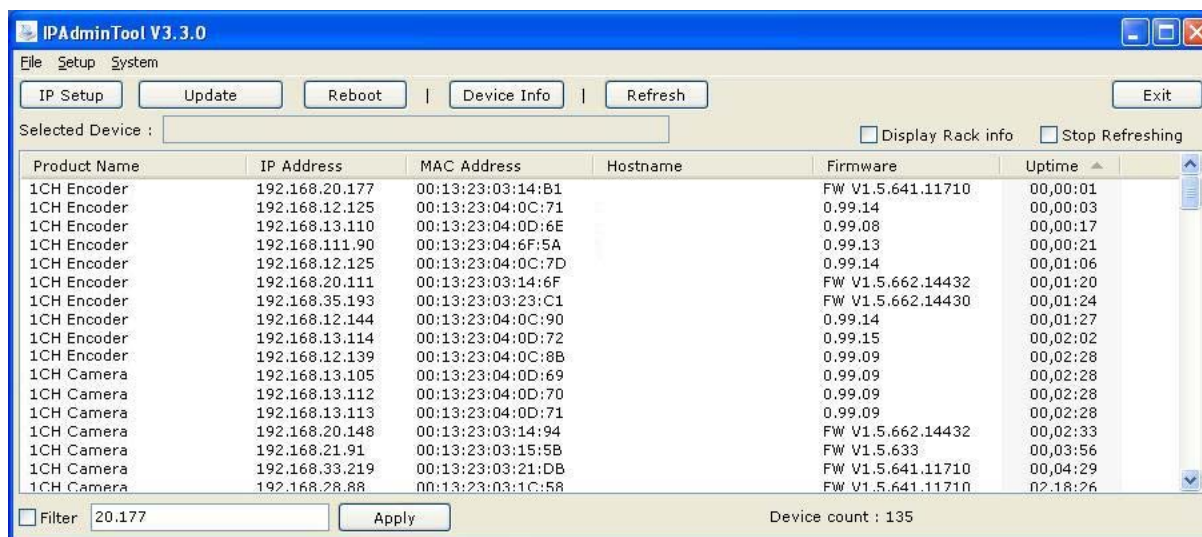
## Advanced setup (IPAdminTool)

IPAdminTool is a utility program for IP products. The following lists a part of features that IPAdminTool provides.

- Configure IP address, subnet mask, and gateway
- Show network related information such as MAC address
- Update firmware
- Reboot the device

IPAdminTool is provided with SDK at the following SDK path.

```
{SDK root}\BIN\TOOLS\AdminTool\
```



## Rebooting

Perform the following procedures to reset your device:

1. While the device is in use, press the Reset button.
2. Wait for the system to reboot.

## Resetting to the Factory Default Settings

If you reset your device to the factory default setting, all parameters including the IP address will be initialized.

For the Factory Default reset:

1. Press reset button and hold.
2. Release the Reset button after 5 seconds until LED blinks.
3. Wait for the system to reboot.

## More Information

To learn more about using other features of your devices, refer to the manual, which is available on the SDK at the following path.

```
{SDK root}\DOC\
```

# Hexadecimal-Decimal Conversion Table

---

Refer to the following table when you convert the MAC address of your device to IP address.

Hex	Dec
00	0
01	1
02	2
03	3
04	4
05	5
06	6
07	7
08	8
09	9
0A	10
0B	11
0C	12
0D	13
0E	14
0F	15
10	16
11	17
12	18
13	19
14	20
15	21
16	22
17	23
18	24
19	25
1A	26
1B	27
1C	28
1D	29
1E	30
1F	31

Hex	Dec
20	32
21	33
22	34
23	35
24	36
25	37
26	38
27	39
28	40
29	41
2A	42
2B	43
2C	44
2D	45
2E	46
2F	47
30	48
31	49
32	50
33	51
34	52
35	53
36	54
37	55
38	56
39	57
3A	58
3B	59
3C	60
3D	61
3E	62
3F	63

Hex	Dec
40	64
41	65
42	66
43	67
44	68
45	69
46	70
47	71
48	72
49	73
4A	74
4B	75
4C	76
4D	77
4E	78
4F	79
50	80
51	81
52	82
53	83
54	84
55	85
56	86
57	87
58	88
59	89
5A	90
5B	91
5C	92
5D	93
5E	94
5F	95

Hex	Dec
60	96
61	97
62	98
63	99
64	100
65	101
66	102
67	103
68	104
69	105
6A	106
6B	107
6C	108
6D	109
6E	110
6F	111
70	112
71	113
72	114
73	115
74	116
75	117
76	118
77	119
78	120
79	121
7A	122
7B	123
7C	124
7D	125
7E	126
7F	127

Hex	Dec
80	128
81	129
82	130
83	131
84	132
85	133
86	134
87	135
88	136
89	137
8A	138
8B	139
8C	140
8D	141
8E	142
8F	143
90	144
91	145
92	146
93	147
94	148
95	149
96	150
97	151
98	152
99	153
9A	154
9B	155
9C	156
9D	157
9E	158
9F	159

Hex	Dec
A0	160
A1	161
A2	162
A3	163
A4	164
A5	165
A6	166
A7	167
A8	168
A9	169
AA	170
AB	171
AC	172
AD	173
AE	174
AF	175
B0	176
B1	177
B2	178
B3	179
B4	180
B5	181
B6	182
B7	183
B8	184
B9	185
BA	186
BB	187
BC	188
BD	189
BE	190
BF	191

Hex	Dec
C0	192
C1	193
C2	194
C3	195
C4	196
C5	197
C6	198
C7	199
C8	200
C9	201
CA	202
CB	203
CC	204
CD	205
CE	206
CF	207
D0	208
D1	209
D2	210
D3	211
D4	212
D5	213
D6	214
D7	215
D8	216
D9	217
DA	218
DB	219
DC	220
DD	221
DE	222
DF	223

Hex	Dec
E0	224
E1	225
E2	226
E3	227
E4	228
E5	229
E6	230
E7	231
E8	232
E9	233
EA	234
EB	235
EC	236
ED	237
EE	238
EF	239
F0	240
F1	241
F2	242
F3	243
F4	244
F5	245
F6	246
F7	247
F8	248
F9	249
FA	250
FB	251
FC	252
FD	253
FE	254
FF	255