

SSI Sunshields

Eng.

Instructions for Use



CBC AMERICA

1 DESCRIPTION

Provides protection from the direct rays of the sun and promotes cooling to reduce internal housing temperatures.

SS1: For use with H1 & H2 Series Housings.

Items Supplied:

SS1

Sunshield (1)

Hardware Kit (315 3169 001)

Rubber Washer (1)

Sunshield Nut (1)

Latch (1)

M3 x 8 Phillips Pan Head Screw (1)

M3 x 16 Phillips Pan Head Screws (2)

Tools Required:

Adjustable Wrench.

Phillips Screwdriver.

2 INSTALLATION

2.1 Assembling the Latch

1. To assemble the sunshield's latch mechanism, assemble the rubber washer onto the M3 x 8 screw. Push the screw through the hole in the front of the sunshield. Assemble the sunshield nut into the latch (channel down). From the inside of the sunshield put the screw into the slot in the latch. Rotate the screw into the nut. The channel will keep the nut from twisting. Do not tighten the screw and nut. This will be done later in the assembly. **See Figure 1.**

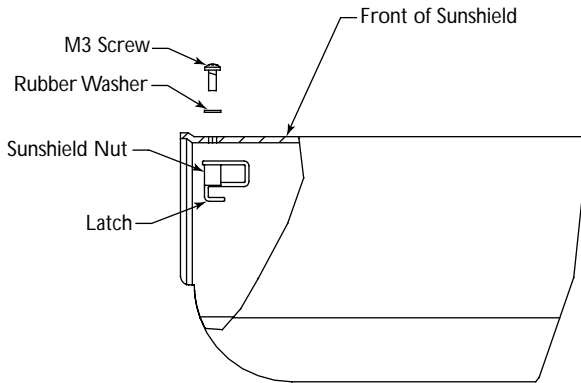


Figure 1: Assembling Latch Mechanism

2.2 Installing Sunshield

H1 & H2 Series Housings

1. Place the sunshield over the housing. Align the studs with the threads in the rear cap.

2. Insert the 16 mm long screws into the sunshield and screw them into the rear cap. Do not tighten screws. **See Figure 2.**

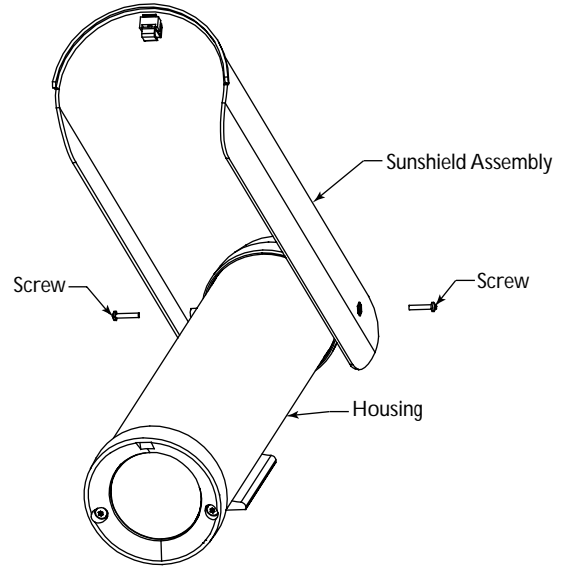


Figure 2: Installing Sunshield

2.3 Final Assembly

1. Rotate the sunshield over the housing. Allow the latch to engage the notch in the front cap. **See Figure 3.**

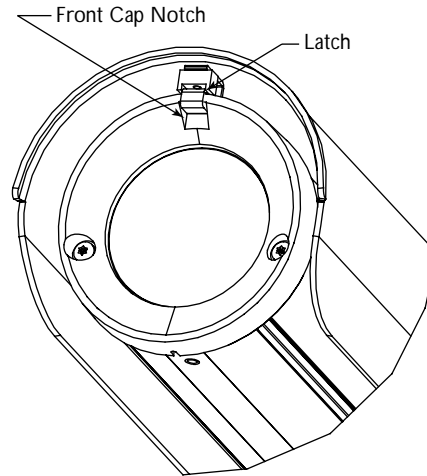


Figure 3: Final Assembly

2. Tighten the screws in the rear cap.
3. Push the latch into the front cap as far as possible.
4. Tighten the latch's nut and screw.