

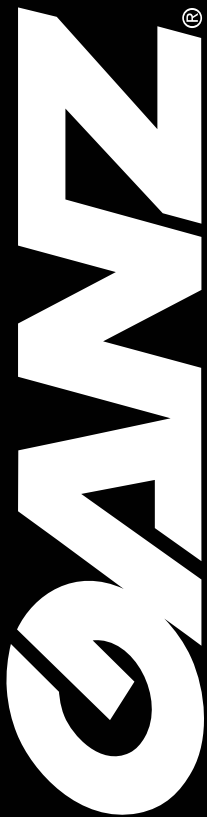
## PixelPro Network Camera 1080p Mini Series







### **PixelPro**

#### Features:

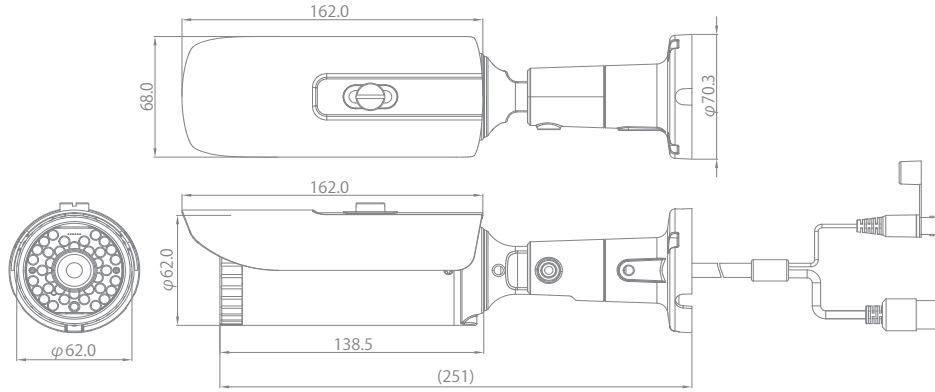
- 1080p HD resolution
- Progressive scan CMOS sensor
- PoE operation and additional power options
- True Day/Night performance
- Dual streaming video



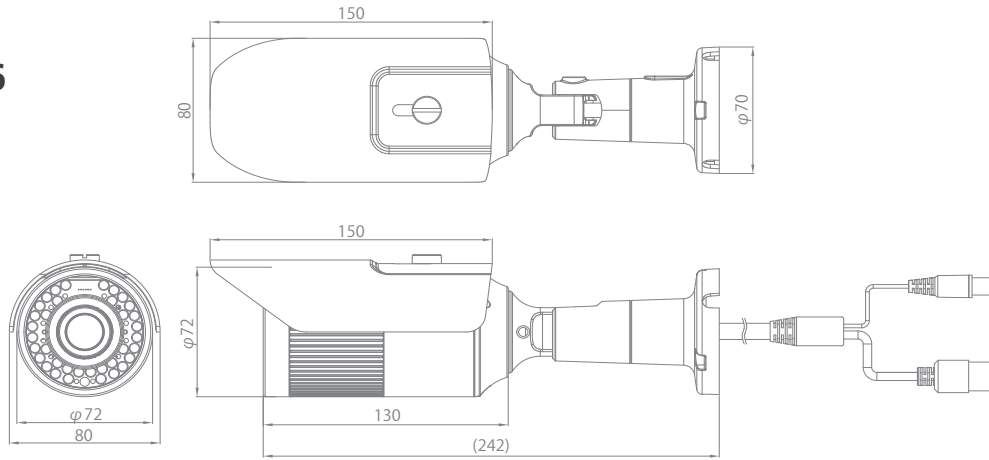
Model Number		ZN-N4NFN5 ZN-N4NFN9	ZN-N4NVD56	ZN-M4NTFN3L ZN-M4NTFN4L ZN-M4NTFN9L	ZN-M4NFN3L ZN-M4NFN4L ZN-M4NFN9L
					
Camera	Image Sensor	1/2.9" Sony Exmor CMOS	1/2.8" Sony Exmor CMOS	1/2.8" Sony Exmor CMOS	1/2.9" Sony Exmor CMOS
	Max. Resolution	1920 x 1080			
	Effective Pixels	1984(H) x 1105(V)	1984(H) x 1225(V)		1984(H) x 1105(V)
	Effective Image Size (mm ; H x V, Diag)	5.56 x 3.09, 6.36 mm	5.56 x 3.43, 6.53 mm		5.56 x 3.09, 6.36 mm
	Day & Night	Removable IR Cut Filter			
	D->N threshold	SW selectable			SW (picture based)
	N->D threshold	SW selectable			SW (picture based)
	IR LED Number	30	36	1	15
	IR LED Lighting	Auto			
	Adaptive IR	-	Auto / Off		-
	Min. illumination	0 lx with IR LED ON			
	WDR	D-WDR			
	White Balance	ATW / MANUAL(PRESET)			
	AGC	Yes			
	S/N ratio	45 dB or more			
	BLC(Back Light Compensation)	Yes			
	Defog	Yes			
e-Shutter Speed (Manual)	1/4~1/2000				
e-Shutter Speed (Auto)	1/25(30)~1/5000				
Slow Shutter	Off, x2, x4, x8				
3D DNR	Yes (Depends on Codec Configuration)				
Privacy Mask	4 area (8 color)				
Lens	Lens	Fixed Lens, ZN-N4NFN5 ; f=4mm F1.8, ZN-N4NFN9 ; f=6mm F1.8	Vari Focal f = 2.8-12mm, F1.4 DC-Iris	Fixed Lens, ZN-M4NTFN3L; f=2.8mm F1.8, ZN-M4NTFN4L; f=3.6mm F1.8, ZN-M4NTFN9L; f=6mm F1.8	Fixed Lens, ZN-M4NFN3L; f=2.8mm F1.8, ZN-M4NFN4L; f=3.6mm F1.8, ZN-M4NFN9L; f=6mm F1.8
	Iris	Fixed Iris	DC Iris	Fixed Iris	Fixed Iris
	Optical Zoom	-	4.3x	-	
	Field of View (H/V/D)	ZN-N4NFN5(f=4mm) : 81 / 43 / 87°, ZN-N4NFN9(f=6.0mm) : 51 / 29 / 57_	96 / 51 / 101° (wide), 34 / 18 / 38° (tele)	ZN-M4NTFN3L(f=2.8mm) : 109 / 61 / 125°, ZN-M4NTFN4L(f=3.6mm) : 86 / 46 / 100°, ZN-M4NTFN9L(f=6mm) : 43 / 28 / 60°	ZN-M4NFN3L(f=2.8mm) : 109 / 61 / 125°, ZN-M4NFN4L(f=3.6mm) : 86 / 46 / 100°, ZN-M4NFN9L(f=6mm) : 43 / 28 / 60°
Network	Network	10BASE-T, 100BASE-TX, RJ45			
	Image Compression	H.264, MJPEG : Image quality: 100 Steps(Q value)			
	Resolution	1920 x 1080(Full HD), 1280 x 1024(SXGA), 1024x768(XGA), 1280 x 720(720p), 640 x 480(VGA), 640 x 360(HVGAW) 704 x 480/576(4CIF), 352 x 240/288(CIF)			
	Digital Zoom	2 ~ 10x(Client Software)			
	Protocol	IPv4, HTTP, SMTP, UPnP, DNS, RTSP, DDNS, RTP, TCP, UDP, RTCP, DHCP, ARP, FTP, IGMP, ICMP, NTP			
	Max Connections	Unicast : 10, Multicast: Unlimited			
	Frame Rate	1 fps ~ 25 fps / 1 fps ~ 30 fps			
	Web Browser	Internet Explorer 9.0 or above, Firefox, Chrome. Smart Phone (iOS, Android)			
	Security	Password Protection			
	SDK(API)	HTTP based API, Onvif Profile S			
	VMD(Video Motion Detection)	User set 4 ROI(Region Of Interest), 30 Step Sensitivity			
	ROI	TBD			
	Recording	-			Snapshot (microSD)
	Alarm Trigger	VMD		VMD, External Alarm Input	VMD
	Alarm Event	E-mail notification(Snapshot), FTP transfer(Snapshot)		E-mail notification(Snapshot), FTP transfer(Snapshot), External Alarm Out	E-mail notification(Snapshot), FTP transfer(Snapshot)
	Defective Pixel Correction	Yes (On the fly)			
	Streaming	Dual Stream			
Tamper Detection	-				
Multi Language	Yes				

# DIMENSIONS (Unit:mm)

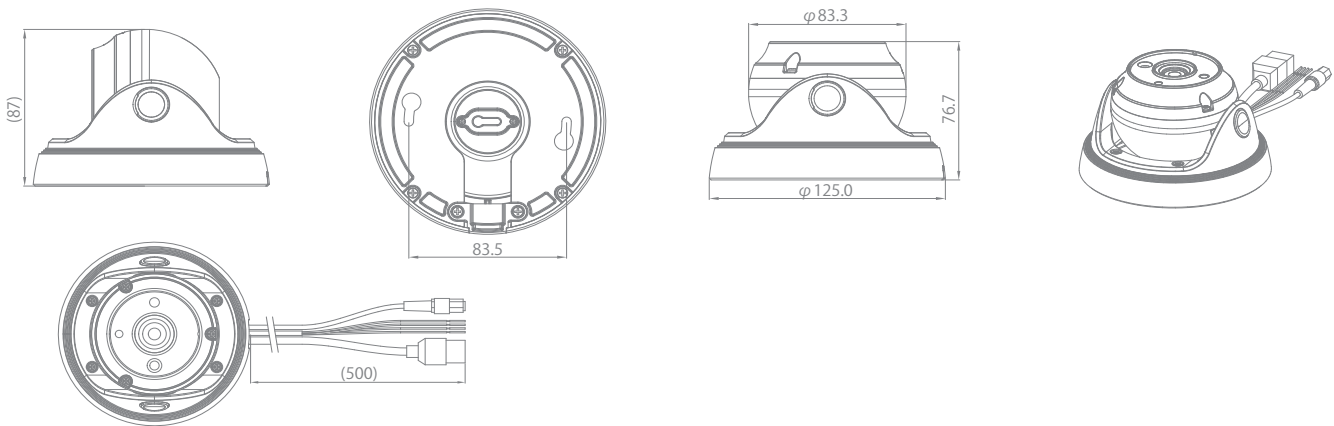
## ZN-N4NFN5 ZN-N4NFN9



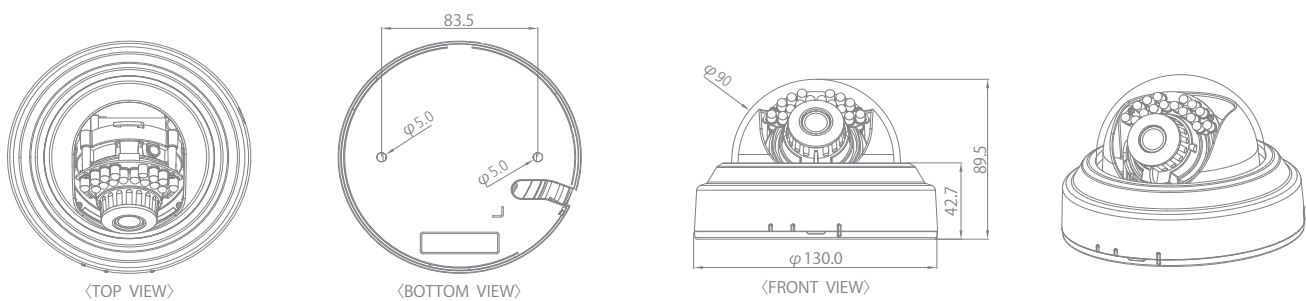
## ZN-N4NVD56



## ZN-M4NTFN3L, ZN-M4NTFN4L, ZN-M4NTFN9L



## ZN-M4NFN3L, ZN-M4NFN4L, ZN-M4NFN9L





# PixelPro Network Camera 1080p Mini Series

## SPECIFICATION-2 (Power, I/O, Audio, Video Signal and Other)

Model Number		ZN-N4NFN5 ZN-N4NFN9	ZN-N4NVD56	ZN-M4NTFN3L ZN-M4NTFN4L ZN-M4NTFN9L	ZN-M4NFN3L ZN-M4NFN4L ZN-M4NFN9L
Power	DC	-			12VDC
	AC	-			
	PoE	IEEE 802.3af class0		IEEE 802.3af class2	
	Power Consumption	110mA @ PoE, 5.3W	112mA @ PoE, 5.4W	430mA @ 12VDC, 5.2W 130mA @ PoE, 6.2W	259mA @ 12VDC, 3.1W 83mA @ PoE, 4.0W
	Heater	-			
I/O	microSD Card, Max Memory Size	-			SD / SDHC, up to 32GB
	Analog Video Out, (Installation Only)	CVBS Output, BNC connector	CVBS Output, Stereo Jack	-	CVBS Output, Stereo Jack
	Alarm In	-	-	1	-
	Alarm Out	-	-	1	-
Audio	Audio In	-	1x Line in	-	-
	Audio Out	-			
	Audio CODEC	-	G.711 u-law 8kHz	-	-
	RS485	-			
Analog (Installation Only)	Video Signal	NTSC/PAL selectable	NTSC/PAL selectable	-	NTSC/PAL selectable
	Monitor Output	Composite Output(BNC), 75 ohm 1Vpp			Composite Output(BNC), 75 ohm 1Vpp
	Scanning Frequency	NTSC: (H) 15.734 kHz, (V) 59.94 Hz PAL: (H) 15.625 kHz, (V) 50 Hz			NTSC: (H)15.734 kHz, (V)59.94Hz PAL: (H)15.625 kHz, (V)50Hz
Others	FAN	-			
	Ambient Temperature	-10°C ~ 50°C (14°F~122°F)			0°C ~ 40°C (32°F~104°F)
	Ambient Humidity	less than 90%, Non-condensing			
	Materials	Aluminum Diecasting			Poly Carbonate
	Weight	678g	824g	614g	343g
	Dimensions(W x H x D)	ø62x251(H)Bracket:ø70.3mm, ø2.4x9.9(H)Bracket:ø2.8inch	ø72X242(L)Bracket:ø70mm, ø2.8X9.5(L)Bracket:ø2.8inch	ø125(body)x76.7(H) max 87(H)mm ø83.3(dome), ø4.9(body) x 3(H) max 3.4(H) inch, ø3.3(dome)	ø130(body)x89.5(H) ø90(dome) mm, ø5.1(body) x 3.5(H) ø3.5(dome) inch
	IK Rating	-			
	IP Rating	IP66			-

## COMPATIBLE WITH:

Check our website or contact customer service for most updated information.



\*Exact products and specifications shown may vary by geographic and subject to change without notice. Actual products may differ from the images appearing in the specification sheet.



**CBC AMERICAS Corp.**  
Corporate Headquarters  
Tel: 1-919-230-8700

West Coast Office  
Tel: 1-310-222-8600

**ganzsecurity.com**  
©2016 CBC AMERICAS Corp. All rights reserved.