

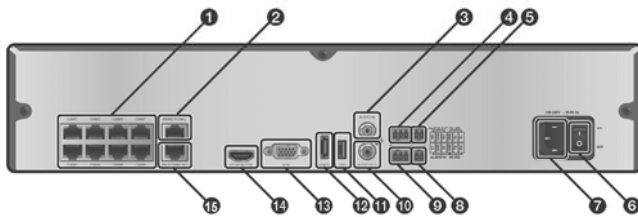
Quick Guide



8CH / 16CH Full HD NVR

1 Installation

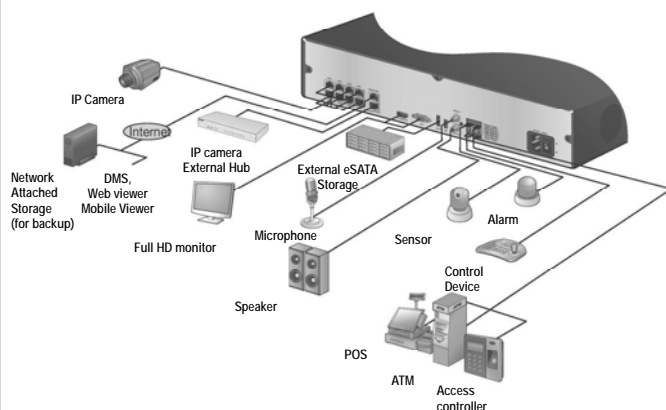
Rear View



1	CAM1-CAM8	Ethernet ports used for connecting the network cameras.
2	WAN(UPLINK)	Network ports for connection to the internet, router or hub.
3	AUDIO IN	Microphone connection port.
4	ALARM OUT	Alarm Out port.
5	RS-485	Communication port for connecting peripherals such as system keyboards.
6	Power Switch	Power switch of the NVR. Plug the power cord and turn this switch on.

No.	Item	Description
7	AC input	NVR power input port. 100-240V AC, 50/60Hz
8	RS-232C	Signal connection port for POS and ATM. ✓ Scheduled to be upgraded.
9	ALARM IN	Alarm input signal port.
10	AUDIO OUT	Port for speaker connection.
11	USB	Port for connecting USB devices. (For mouse, backup device or firmware upgrading)
12	eSATA	Connection port for external SATA storage (HDD).
13	VGA	VGA video output port.
14	HD MONITOR	Port for connecting a full HD (1920x1080) supported monitor. Use the HDMI cable to connect with a 1080p 60Hz monitor.
15	LAN(DOWNLINK)	Exclusive Port dedicated to connect the NVR Hub. ⚠ Do not share with other device.

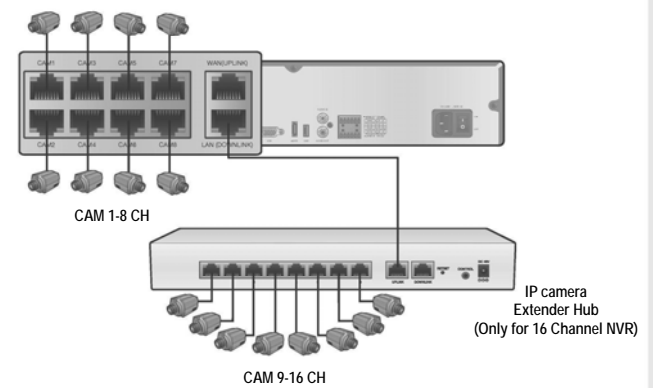
Basic Layout



✓ Output for two monitors at the same time is not supported. Either one of HDMI and VGA output to one monitor is available.

✓ Signal connection for POS and ATM is scheduled to be upgraded later.

Connecting the camera



✓ If the IP camera provides the alarm I/O port or Audio I/O port, you can make alarm or audio connection. For more details, refer to the user manual of the IP camera.