

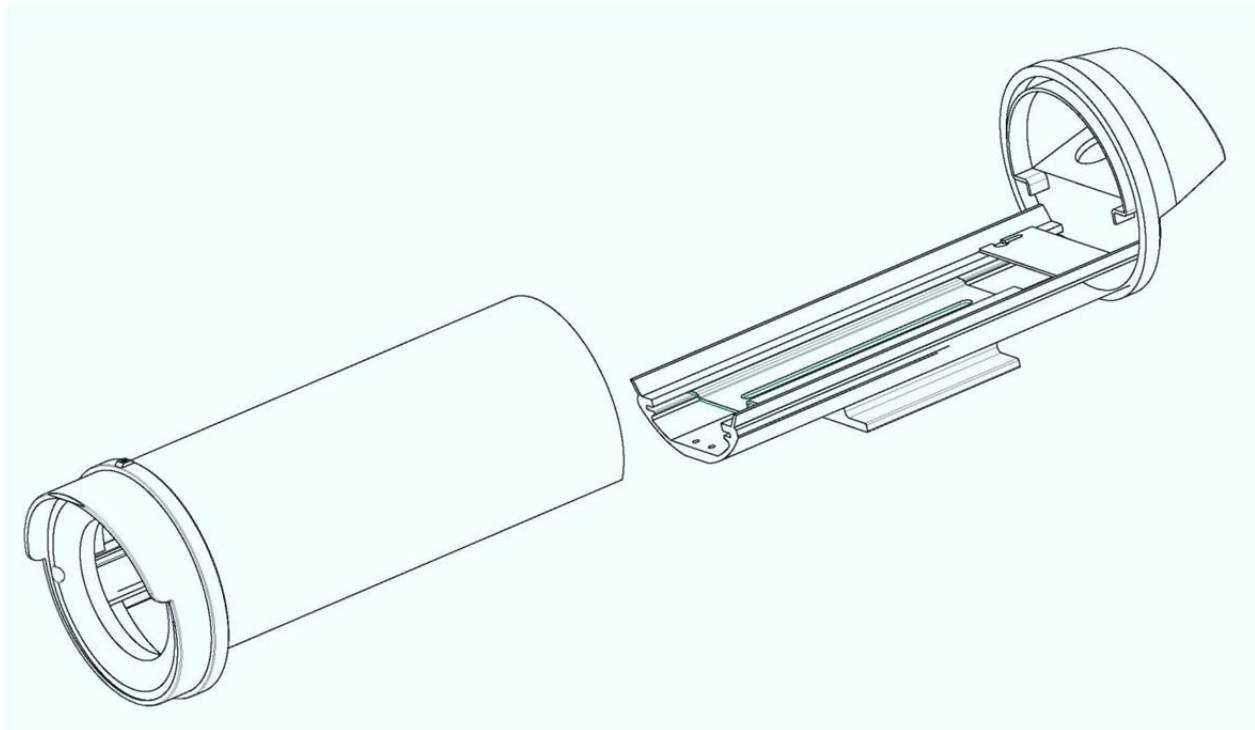


**CBC AMERICA**

CBC America LLC  
1023 Corporate Park  
Drive, Mebane, NC 27302

[www.ganzsecurity.com](http://www.ganzsecurity.com)  
Tele: 1 (919) 230-8700

## Instruction Manual H1 and H2 Security Camera Housing



These housing are designed with ease of installation and excellent environmental performance in mind. With cable entry options through the rear cap and the mounting foot, these features will allow for a variety of installation options. The accompanying mount permits cable concealment when the cables are routed through the mount.

The all-aluminum construction is coated with a light colored UV protected powder paint for minimum heat absorption and environmental sealed with all UV protected silicone gaskets. The 3mm glass viewing window provides for HD optical clarity that will not fade or yellow over time.

Sized to fit a varying range of cameras and lenses, these housing provide a perfect complement to most complete security and surveillance system solutions. Contact your security dealer or customer service representative to match the best equipment and devices for your application.

## IMPORTANT SAFEGUARDS

1. Read Instructions - All the safety and operating instructions should be read before the unit is operated.
2. Retain Instructions - The safety and operating instructions should be retained for future reference.
3. Heed Warnings - All warnings on the unit and in the operating instructions should be adhered to.
4. Follow Instructions - All operating and use instructions should be followed.
5. Cleaning – Disconnect from power source before cleaning. Use a damp cloth for cleaning.
6. Do not use attachments not recommended by the product manufacturer as they may cause hazards.
7. Power Sources - This unit should be operated only from the type of power source indicated on the marking label. If you are not sure of the type of power supply you plan to use, consult your appliance dealer or local power company. For units intended to operate from battery power, or other sources, refer to the operating instructions.
8. Grounding or Polarization - This unit may be equipped with a polarized current line plug. This plug will fit into the power outlet only one way. This is a safety feature. If you are unable to insert the plug fully into the outlet, try reversing the plug. If the plug should still fail to fit, contact your electrician to replace obsolete outlet. Alternately, this unit may be equipped with a 3-wire grounding-type plug, a plug having a third (grounding) pin. This plug will only fit into a grounding-type power outlet. This is a safety feature. If you are unable to insert the plug into the outlet, contact your electrician to replace your obsolete outlet. Do not try to defeat these safety features.
9. Power-Cord Protection - Power-supply cords should be routed so that they are not likely to be walked on or pinched by items placed upon or against them, paying particular attention to cords and plugs, convenience receptacles, and the point where they exit from the appliance.
10. Power Lines - An outdoor system should not be located in the vicinity of overhead power lines or other electric light or power circuits, or where it can fall into such power lines or circuits. When installing an outdoor system, extreme care should be taken to keep from touching such power lines or circuits as contact with them might be fatal. U.S.A. models only - refer to the National Electrical Code Article 820 regarding installation of CATV systems.
11. Overloading - Do not overload outlets and extension cords as this can result in a risk of fire or electric shock.
12. Object and Liquid Entry - Never push objects of any kind into this unit through openings as they may touch dangerous voltage points that could result in a fire or electric shock. Never spill liquid of any kind on the unit.
13. Servicing - Do not attempt to service this unit yourself as opening or removing covers may expose you to dangerous voltage or other hazards. Refer all servicing to qualified service personnel.
14. Replacement Parts -When replacement parts are required, be sure the service technician has used replacement parts specified by the manufacturer or have the same characteristics as the original part. Unauthorized substitutions may result in fire, electric shock or other hazards.
15. Coax Grounding - If an outside cable system is connected to the unit, be sure the cable system is grounded. U.S.A. models only--Section 810 of the National Electrical Code, ANSI/NFPA No.70-1981, provides information with respect to proper grounding of supporting structure, grounding of the coax to a discharge unit, size of grounding conductors, location of discharge unit, connection to ground, and requirements for the grounding electrode.

## FCC INFORMATION

**WARNING** - This equipment complies with the limits for a Class B digital device, pursuant to Part 15 of the FCC Rules. Limits are designed to provide reasonable protection against harmful interference when the equipment is operated in a residential installation. This equipment generates and can radiate radio frequency energy, if not installed and used in accordance with the instructions, may cause harmful interference to radio communications. However, there is no guarantee that interference will not occur in a particular installation. If this equipment does cause harmful interference to radio or television reception, which can be determined by turning the equipment off and on, the user is encouraged to try to correct the interference by one or more of the following measures:

- Reorient or relocate the receiving antenna or increase the separation between the equipment and receiver.
- Connect the equipment into an outlet on a circuit different from that to which the receiver is connected.
- Consult the dealer or an experienced radio/TV technician for help.

Intentional or unintentional changes or modifications not expressly approved by the party responsible for compliance shall not be made. Any such changes or modifications could void the user's authority to operate the equipment. The user may find the following booklet prepared by the Federal Communications Commission helpful: "How to Identify and Resolve Radio-TV Interference Problems", available from U.S. Government Printing Office, Washington, DC 20402, Stock No. 004-000-00345-4.

## 1. UNPACKING

Unpack carefully. This equipment should be handled with care.

Check for the following items:

- Verify the unit model number.
- Verify that parts listed below have been included.

If an item appears to have been damaged in shipment, replace it properly in its carton and notify the shipper. If any items are missing, notify your dealer or manufacturer's Sales Representative or Customer Service. The shipping carton is the safest container in which the unit may be transported. Save it for possible future use.

### **Hardware Kit**

2 x ¼-20 x 3/8" Hex Cross Recessed Head Screws

1 x ¼" Flat Washer

1 x ¼" Lock Washer

## 2. INSTALLATION

### **Tools required:**

#2 Cross Recessed Screwdriver (Phillips)

1/8" Width Flat Blade Screwdriver

3/4" Open End Wrench

General Purpose Wire Stripper with Cutter

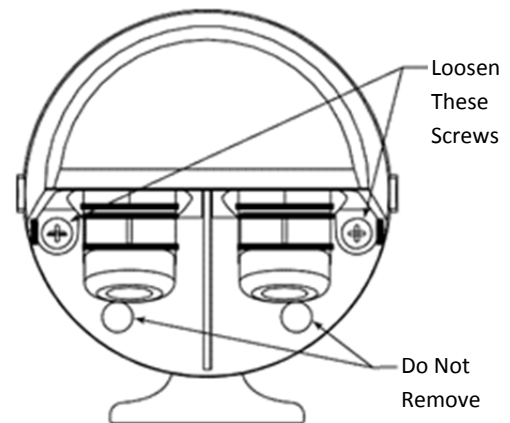
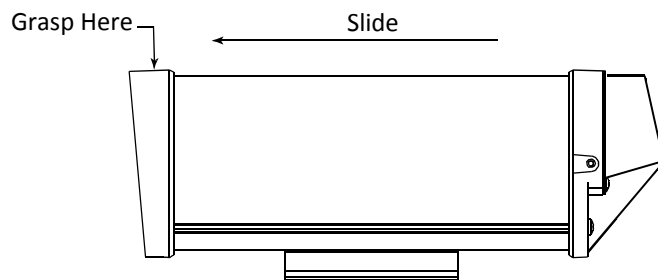
Optional: Adjustable Wrench

### **Materials required:**

Outdoor Rated Cables for Power and Video

Cables must be round in shape with an outer jacket diameter of 0.170" minimum to 0.310" maximum.

1. Choose desired location for camera housing installation. Verify mounting structure and surface is capable of supporting the camera and no obstacle or interference is present from existing installed devices or wiring.
2. Open housing by loosen the 2 Phillips head screws located on the rear cap. Do not remove the lower two screws on the rear cap.
3. Holding the housing base securely, grasp front cap and cover, pull forward sliding the cover off the base.



4. Remove camera mounting bracket by loosen two retaining screws. Slide and lift bracket.
5. Attach camera and lens to bracket using ¼-20 screw. The position of the camera can be adjusted by flipping the bracket. The lens must not extend more than ¾" (0.750") beyond the front edge of the bracket.
6. Choose cable entry path for power and video. Using ¾" wrench, install cable gland fittings either in the rear cap or mounting foot depending on the entry point chosen. Install plugs in the holes not used for cable entry.

7. Attach power to connector terminal block. Block mounting plate can be removed for ease of installation by loosening two screws to slide and lift the plate. Power must be connected to terminals 2 and 3. Ground can be connected to terminal 4 or optional installation by crimping ground to ring terminal on the grounding stud. Attach terminal block plate to housing base and tighten screws.
8. Position camera into housing and attach back and white wires to camera power terminal as recommended by the camera manufacture.
9. Attach video cable to camera or other device as specified by the camera or device manufacture.
10. Position cables to relieve excess stress and tighten the cable gland fittings using 3/4" wrench.
11. Slide cover into place, tighten two Phillips head screws to secure.
12. Attach housing to mounting bracket and set position.



### 3. SERVICE

If the unit ever needs repair or service, please contact the dealer or manufacture's sales representative.

### 4. CARE AND MAINTENANCE

If the unit needs cleaning, use a soft damp cloth to wipe the external cover and viewing window.

### 5. ACCESSORIES

Recommended:

WB1 – Wall Mounting Bracket with feed through Adjustable Head feature

SS1 – Sunshield to promote cooling by protecting the housing from direct sunlight

### 6. SPECIFICATIONS

MECHANICAL	
Construction	UV Protected Powder Coated Aluminum Body, Front and Rear Caps; UV Protected Silicone Seals; Glass Window for HD Optical Clarity
Color	Cool Gray (Pantone 1C)
Power	12V to 24V; w/heater 10Watts; 420mA @ 24Vac
Operating Temperature	w/heater and sunshield -40 ~ 55C
Storage Temperature	-65C to 65C
Weight - Product	2.6-lbs w/out camera and lens
Weight - Shipping	3.0-lbs
Size	4.4"H x 4.35"W x 11.6"L

See following drawings for additional dimensional information.



## INSTALLATION MANUAL –Feed-Through and Pole Mounts for H-1, H-2 and H-4 Housings

### Unpacking

Unpack carefully. This is mechanical equipment and should be handled with care. If an item appears to have been damaged in shipment, replace it properly in its carton and notify the shipper. If any items are missing, notify CBC America Corp (CBC). The shipping carton is the safest container in which the unit may be transported. Save it for possible future use.

### Service

If the unit ever needs repair service, the customer should contact CBC for a return materials authorization (RMA) and shipping instructions.

### Care and Maintenance

Perform routine maintenance to keep the unit dust free.

### Model Designation

WB-1 Feed-Through Wall Mount

JB-1 Feed-Through Overhang Mount

### Description

This indoor/outdoor mounting equipment is designed for fixed camera or camera housing installations up to 9kg (20lb) rated load. These models are made of lightweight aluminum and features welded construction, providing an extremely rigid camera mount. These brackets have been specifically designed for the H-1, H-2 and H-4 series housings. All mounts come fully assembled.

### Hardware Kit – JB-1 / WB-1

- 1 x Allen Wrench
- 4 x Plastic Wall Anchor
- 4 x Screw
- 2 x ¼-20 x 3/8" Pan Head Phillips Screw, Stainless Steel
- 2 x ¼" Lock Washer, Stainless Steel
- 2 x ¼" Flat Washer, Stainless Steel

### Tools Required

Drill with appropriate sized bit for fasteners used

### Certification

Camera installation should be performed by a licensed professional and conform to the National Electrical Code (NEC) and any applicable local codes.

### Installation

Determine a secure wall mounting location.

**Warning:** These mounts are designed to support a load only in a vertical direction. Mounts MUST be positioned as shown in the SPECIFICATIONS section of this manual.

1. **Cautions:** The fasteners provided in the hardware kit may not be ideal for all installations.
  - a. For a secure installation, use four 8-mm (5/16-in diameter fasteners (not included).
  - b. If bolts are used, they should extend through the mounting surface and be secured with flat washers, lock washers, and nuts on the opposite side. Each bolt must have a minimum pull-out strength of 200kg (450lbs).
  - c. If studs are used, they should be anchored in concrete or welded to a steel backer plate. Each stud must have a minimum pull-out strength of 200kt (450lbs).
  - d. If the wall mount is attached to wood or to a blind structure (with no access to the rear), each fastener must have a minimum pull-out strength of at least 200kg (450lbs).
2. Locate the four holes or stud locations using the flange as a template (four holes equally spaced on a 69.9mm (2-3/4-in) bolt circle.

3. Feed wires through the large hole in the flange or through the slot on the surface where the camera housing mounts.
4. Install the mount using bolts or studs at least 8-mm (5/16-in) in diameter.
5. To mount the camera or camera housing:
  - a. Mount camera with a ¼-20 bolt and lock washer (not furnished) in the center hole of the adjustable head.
  - b. Mount housings with three ¼-20 bolts and lock washers (not furnished).
  - c. Lock mount head in position by using the supplied 1/8-in long-arm hex wrench to tighten screws.

### Specifications

WB-1 / JB-1

Indoor/Outdoor Feed-through Mount

Maximum Load: 9kg (20lbs)

Mounting Head: Adjustable 360° Pan, 180° Tilt

Finish: Dark Mushroom Powder Coat

Approx Weight:

WB-1: 0.36 kg (0.8lb)

JB-1: 0.59 kg (1.3lb)

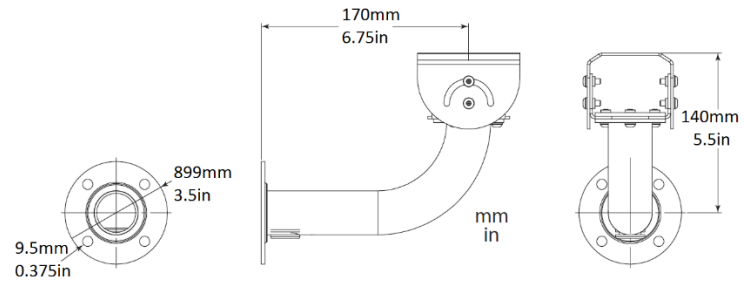


Figure 1 - WB-1

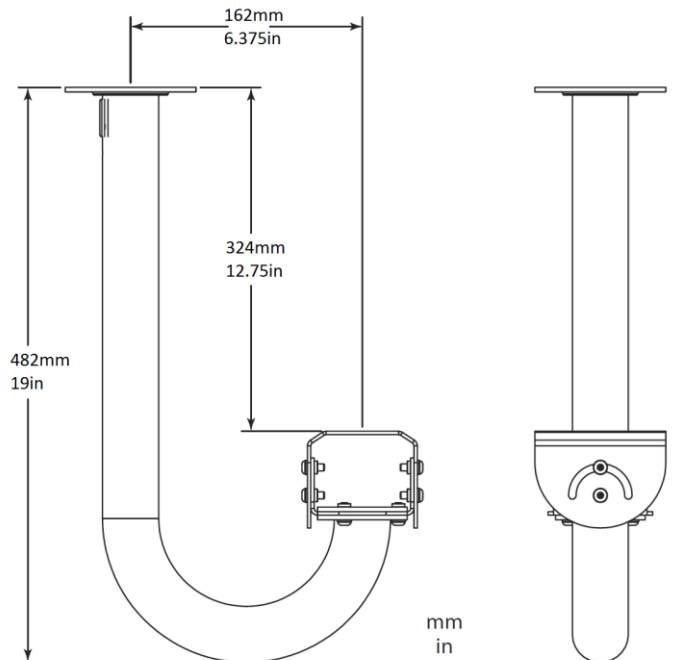


Figure 2 - JB-1