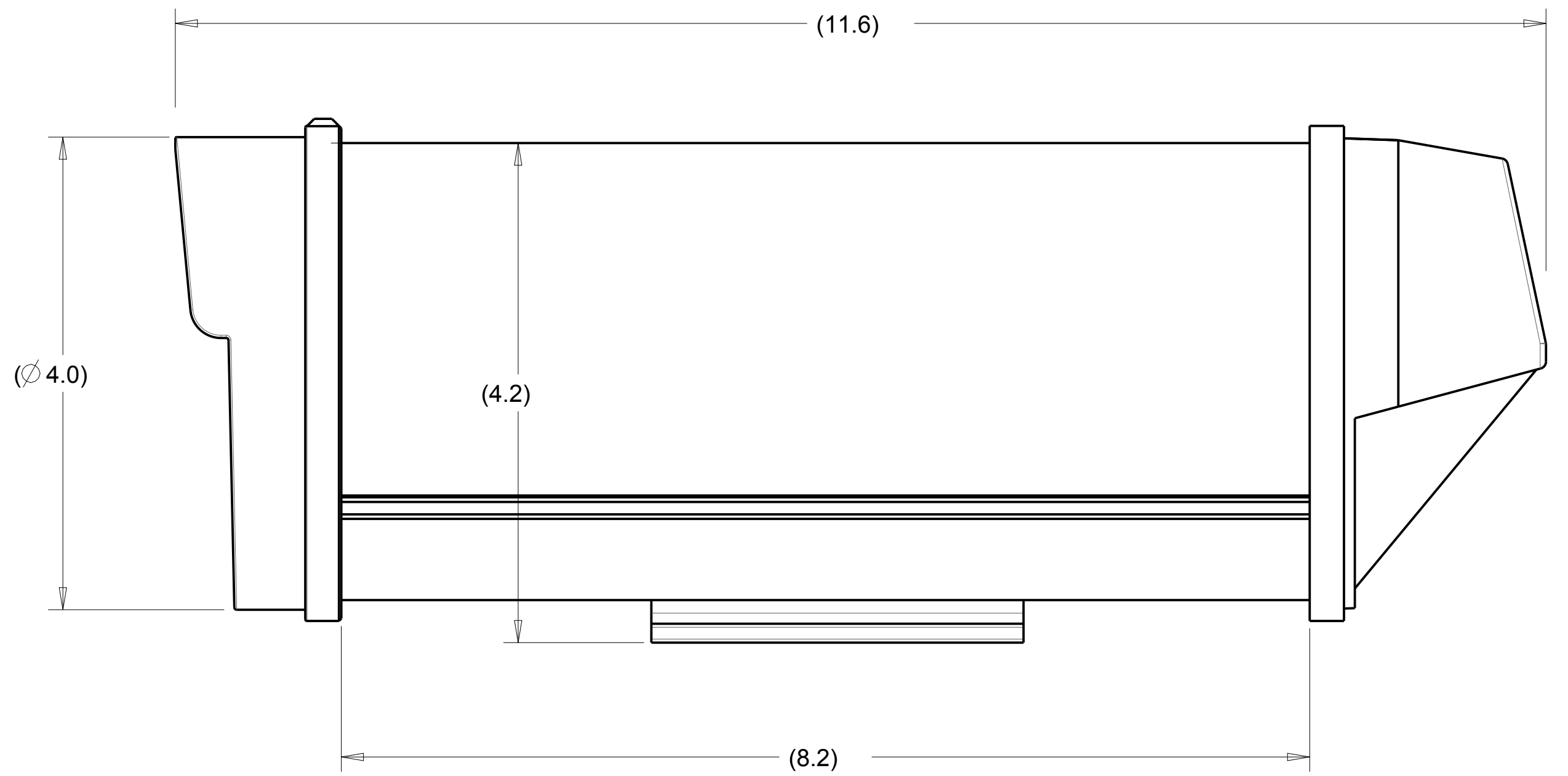
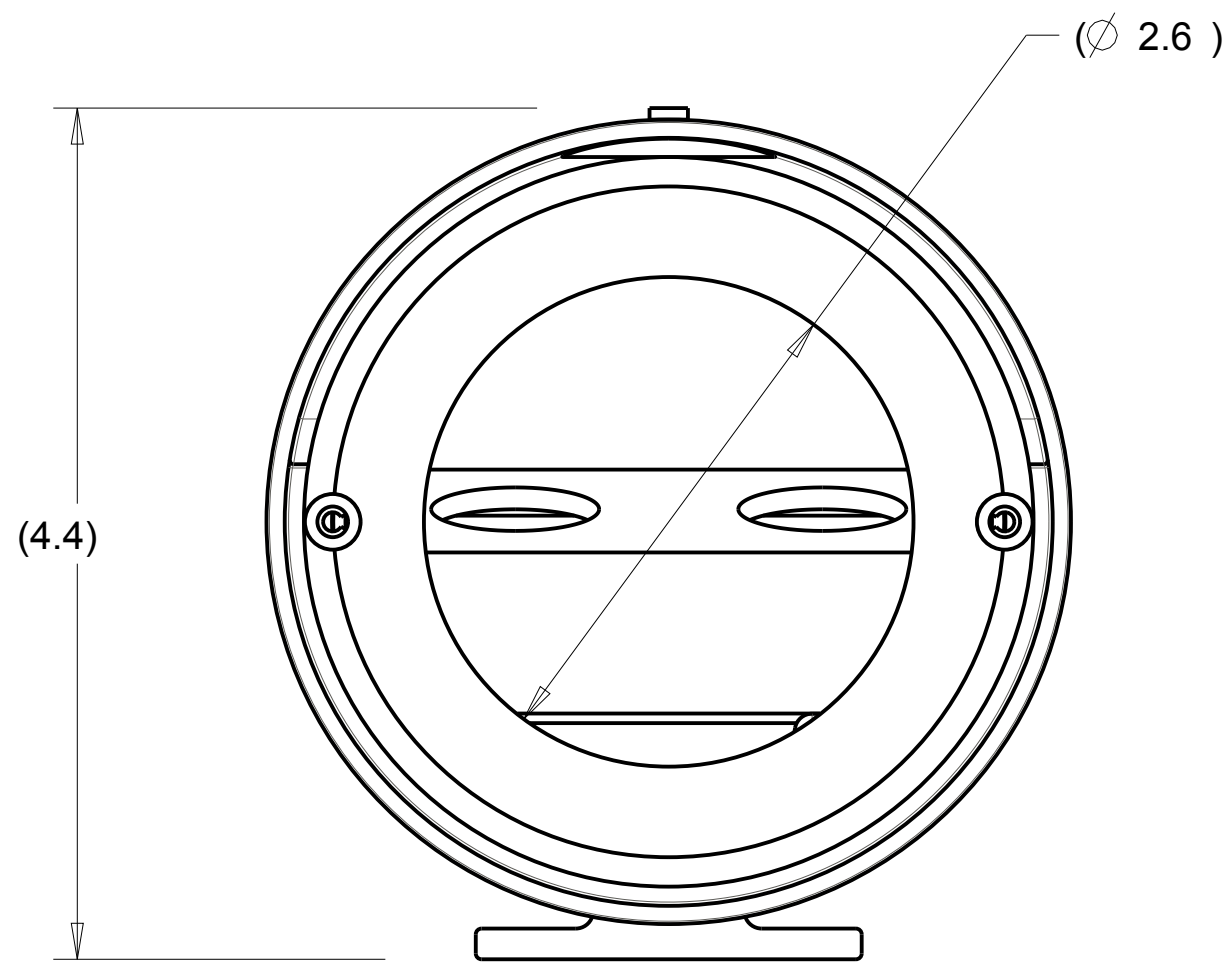
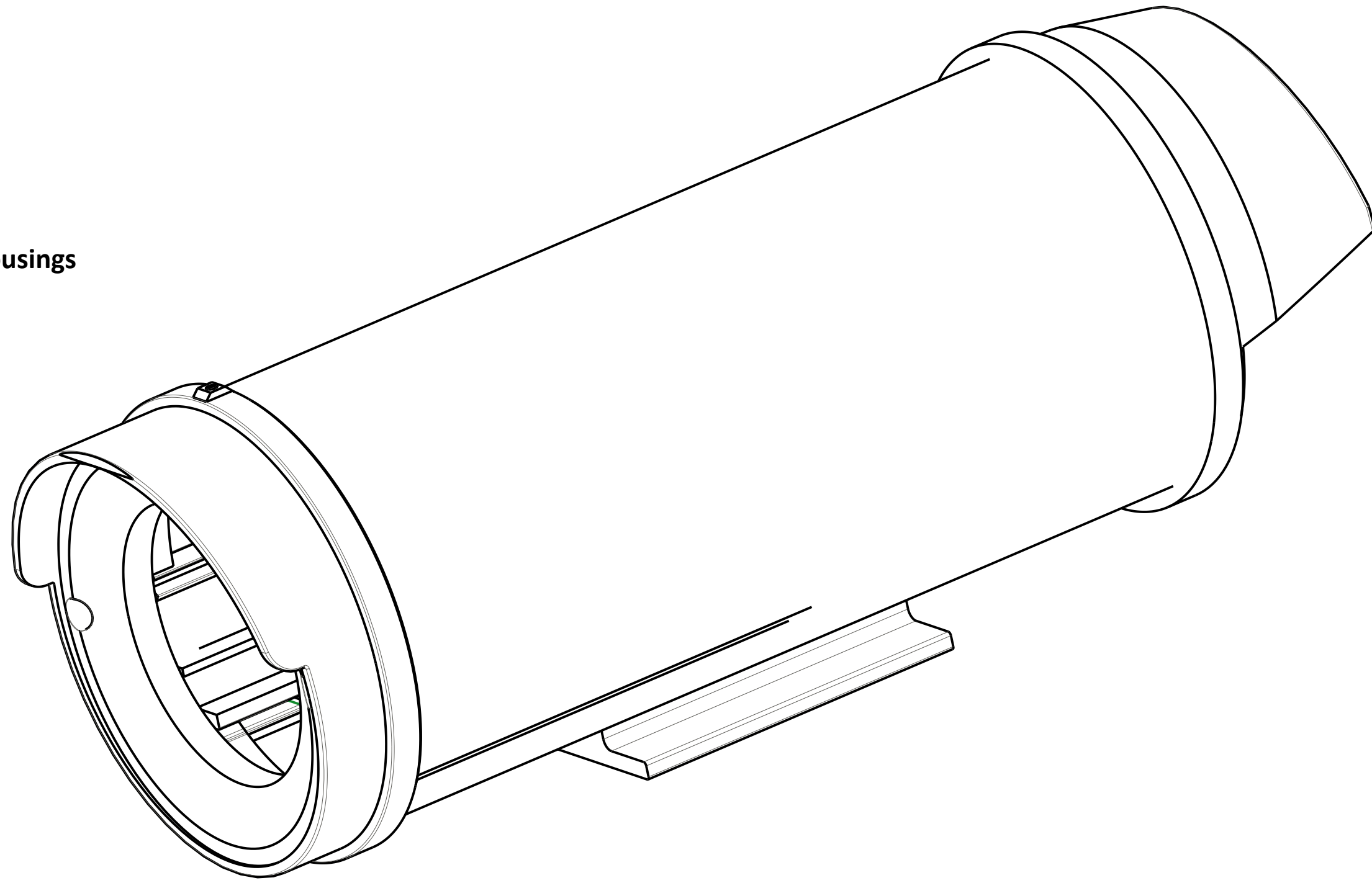
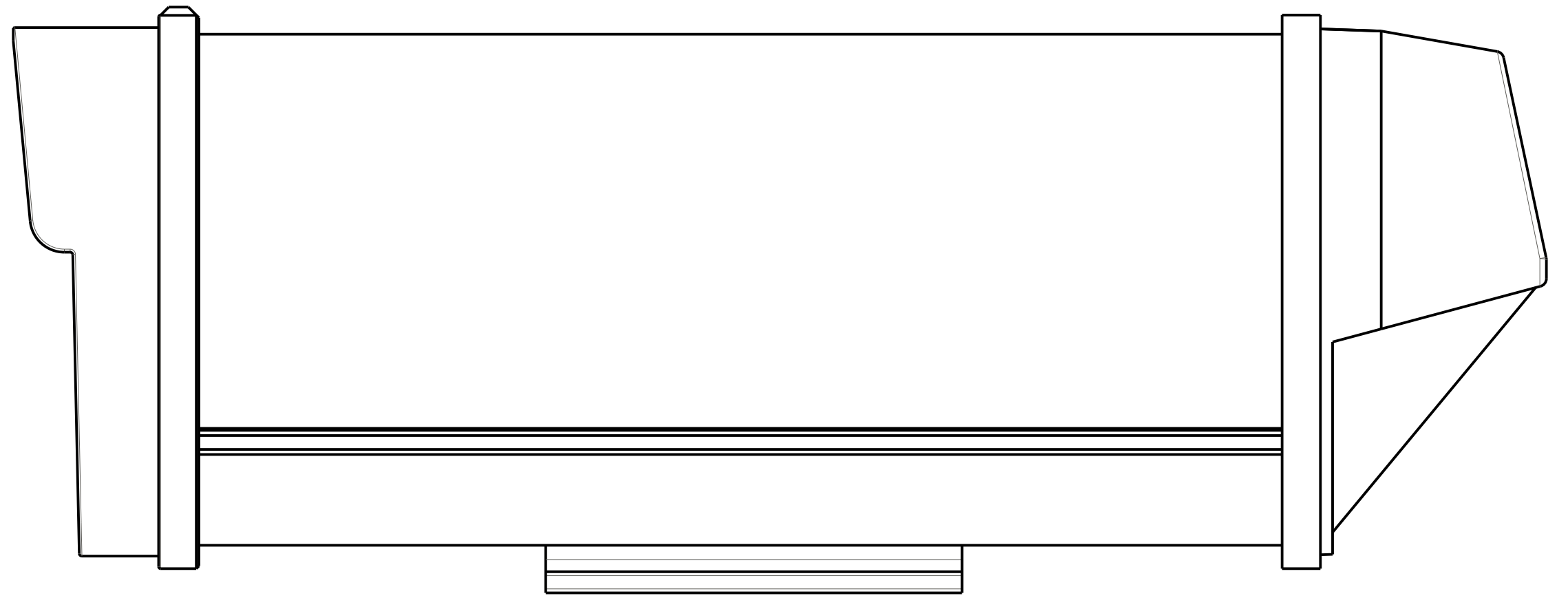
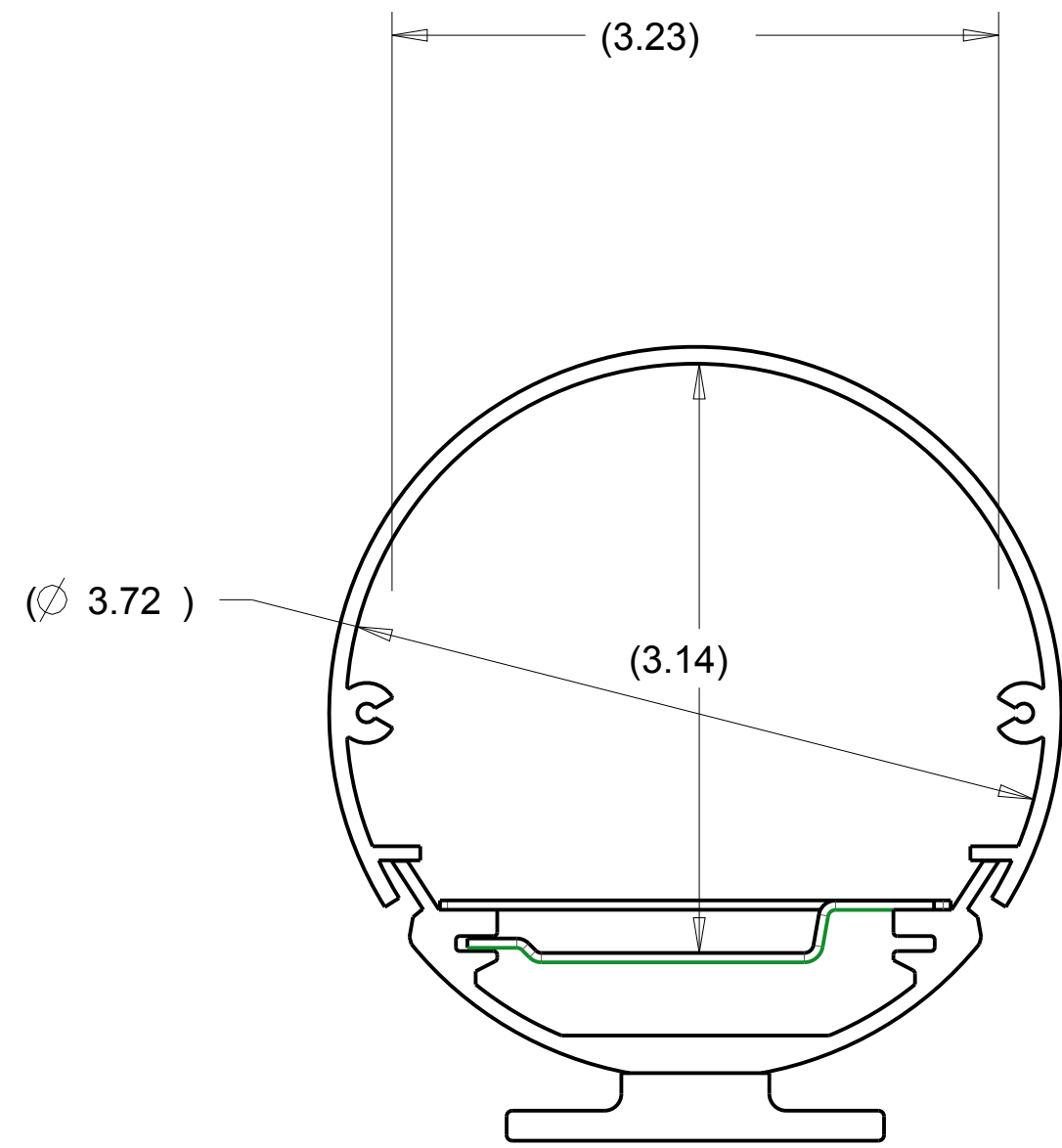
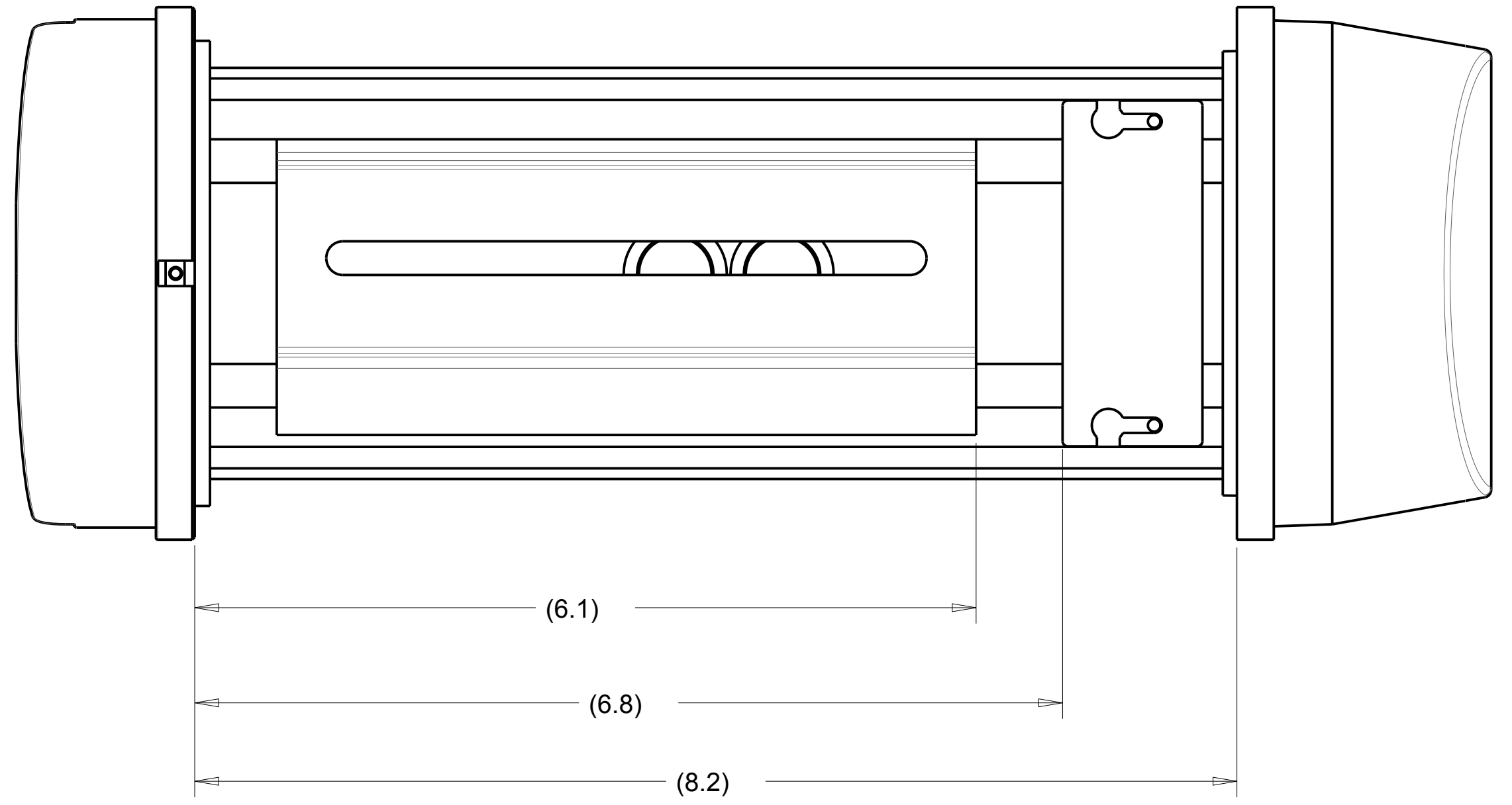


**Dimensional-Drawings**  
**H1-H2-H4 Security Camera Housings**



COVER AND FACE CAP  
NOT SHOWN FOR CLARITY



EXPLODED VIEW FOR REF ONLY

