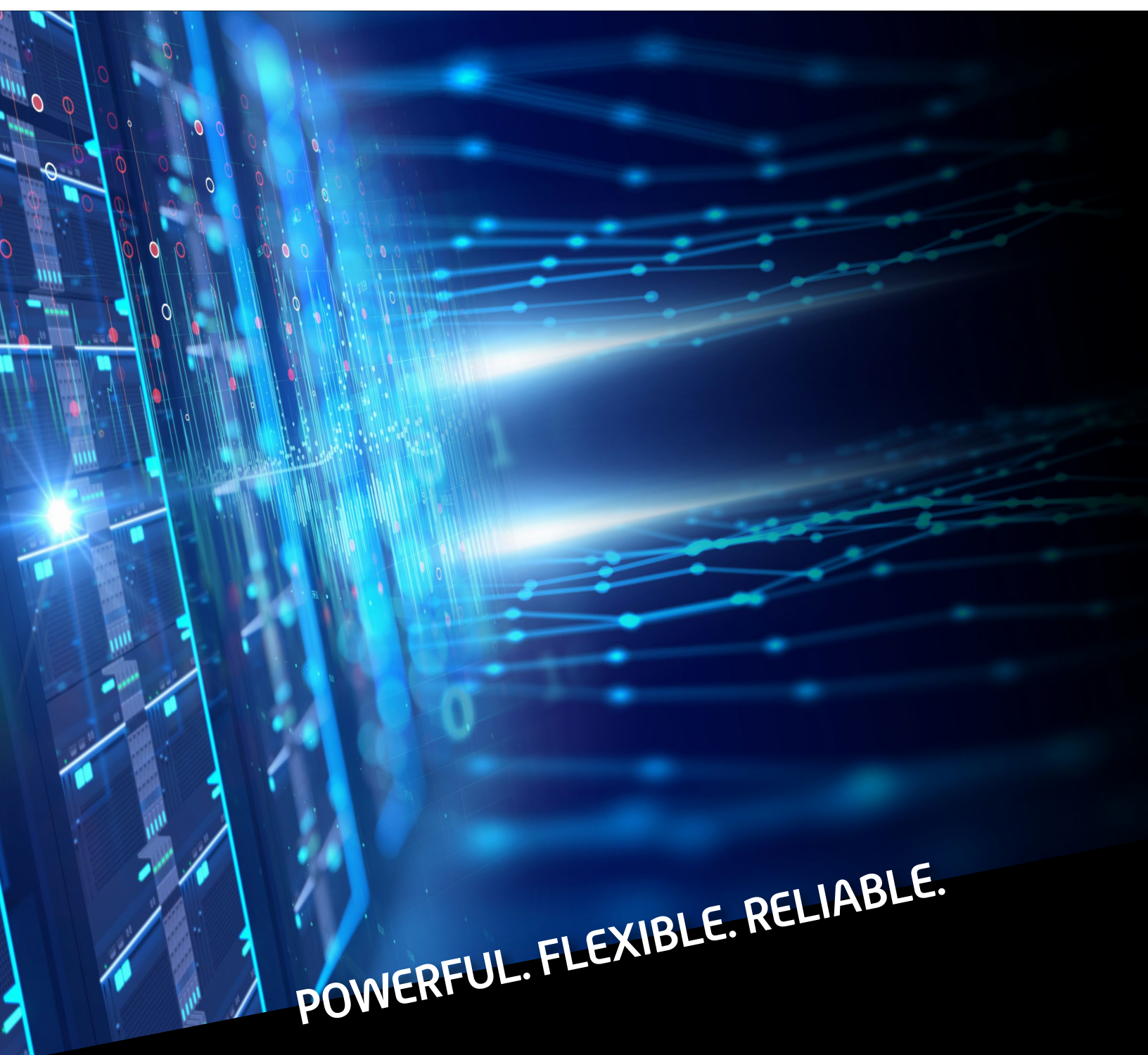




# GXiSERVER

Standalone AI Driven Video Analytics Application Service



**POWERFUL. FLEXIBLE. RELIABLE.**



[ganzsecurity.com/gxi](http://ganzsecurity.com/gxi)

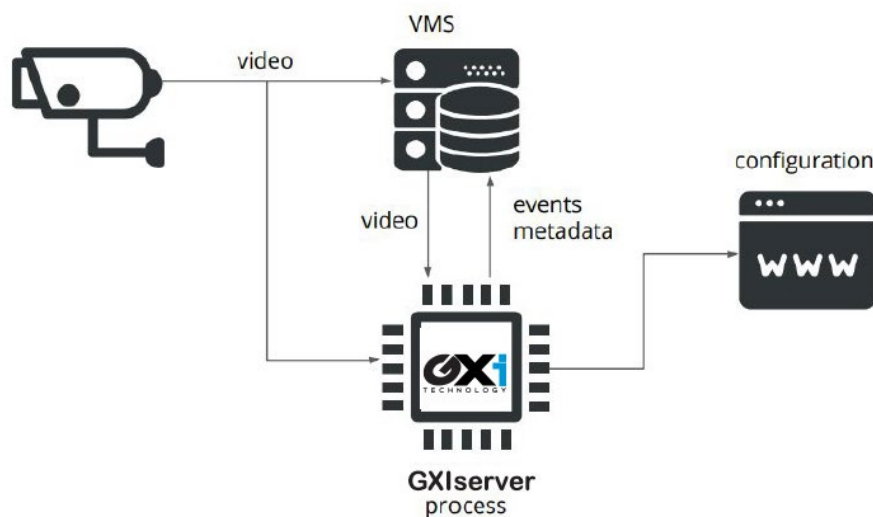
# GXiSERVER

## Standalone AI Driven Video Analytics Application Service

GANZ GXiServer is an intelligent software suite, designed to integrate within or alongside VMS, NVR PSIM platforms.

### Features

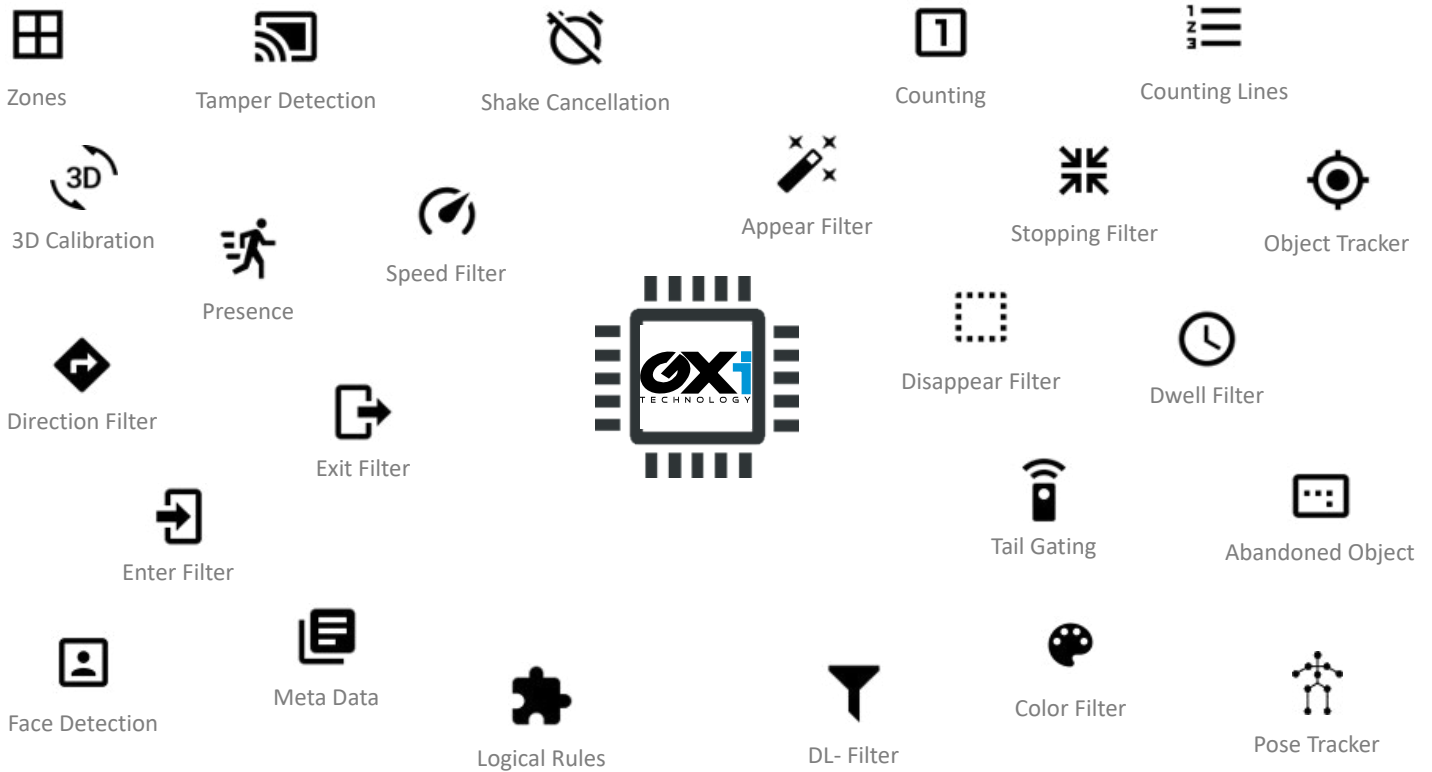
- Add lightweight Deep Learning filter
- Software Analytics License offered in 3 levels
- Scalable up to 64 channels.
- Dependent on server hardware
- Supports a spectrum of scenarios
- Logical Rules
- Supports Microsoft Windows & Linux OS
- Supports Intel X86/64 & ARM Platforms
- Easy retrofit of existing camera installations
- Integrate with or alongside most VMS, NVR, & PSIM platforms
- Common rules, set-ups, UI across the range of platforms



# Deep Learning Reduces False Alarms

The deep-learning based filter can be used to augment the current GXiServer classification engine based on calibrated scene or be used as a stand-alone module.

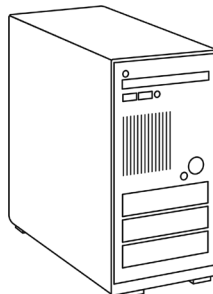
It more accurately distinguishes between true events and false positives (e.g. spiders, car headlights, environmental changes). It does not require camera calibration, which decreases the installation and maintenance burden.



## Analytic Platforms



The Ganz Bridge Embedded hardware appliance running GXiServer



GXiServer (Windows/Linux) Standalone application service run on servers



SDK (VMS / Applications) Integration of GXi Technology's analytics into 3rd party applications and embedded systems

# GXi SERVER Software Analytics License List

GXi Software Analytic Licenses	GXi Server Features																						
	Channels	Zones	Tamper Detection	Object Tracker	On-screen Counting	Counting Lines	Presence (Intelligent Motion Sensor)	Shake Cancellation	3D Calibration	Speed Filter	Appear/Disappear	Stopped	Enter/Exit	Direction Filter	Dwell Filter	Tailgating	Abandoned Object	Face Detection	Meta Data	Logical Rules	DL-Filter	Color Filter	People (Pose) Tracker
GXiPres-01	1Ch	●	●	●	—	—	●	—	—	—	—	—	—	—	—	—	—	●	—	—	—	—	—
GXiPres-04	4Ch	●	●	●	—	—	●	—	—	—	—	—	—	—	—	—	—	●	—	—	—	—	—
GXiPres-08	8Ch	●	●	●	—	—	●	—	—	—	—	—	—	—	—	—	—	●	—	—	—	—	—
GXiPres-16	16Ch	●	●	●	—	—	●	—	—	—	—	—	—	—	—	—	—	●	—	—	—	—	—
GXiCount-01	1Ch	●	●	—	●	●	—	—	—	—	—	—	—	—	—	—	—	●	—	—	—	—	—
GXiCount-04	4Ch	●	●	—	●	●	—	—	—	—	—	—	—	—	—	—	—	●	—	—	—	—	—
GXiCount-08	8Ch	●	●	—	●	●	—	—	—	—	—	—	—	—	—	—	—	●	—	—	—	—	—
GXiCount-16	16Ch	●	●	—	●	●	—	—	—	—	—	—	—	—	—	—	—	●	—	—	—	—	—
GXiPro-01	1Ch	●	●	●	●	●	●	●	●	●	●	●	●	●	●	●	—	●	●	—	●	—	—
GXiPro-04	4Ch	●	●	●	●	●	●	●	●	●	●	●	●	●	●	●	—	●	●	—	●	—	—
GXiPro-08	8Ch	●	●	●	●	●	●	●	●	●	●	●	●	●	●	●	—	●	●	—	●	—	—
GXiPro-16	16Ch	●	●	●	●	●	●	●	●	●	●	●	●	●	●	●	—	●	●	—	●	—	—

# GXi SERVER AI Software Analytics License List

GXi AI Software Analytic Licenses	GXi Server Features																						
	Channels	Zones	Tamper Detection	Object Tracker	On-screen Counting	Counting Lines	Presence (Intelligent Motion Sensor)	Shake Cancellation	3D Calibration	Speed Filter	Appear/Disappear	Stopped	Enter/Exit	Direction Filter	Dwell Filter	Tailgating	Abandoned Object	Face Detection	Meta Data	Logical Rules	DL-Filter	Color Filter	People (Pose) Tracker
GXiPres-01AI	1Ch	●	●	●	—	—	●	—	—	—	—	—	—	—	—	—	—	●	—	—	●	—	—
GXiPres-04AI	4Ch	●	●	●	—	—	●	—	—	—	—	—	—	—	—	—	—	●	—	—	●	—	—
GXiPres-08AI	8Ch	●	●	●	—	—	●	—	—	—	—	—	—	—	—	—	—	●	—	—	●	—	—
GXiPres-16AI	16Ch	●	●	●	—	—	●	—	—	—	—	—	—	—	—	—	—	●	—	—	●	—	—
GXiCount-01AI	1Ch	●	●	—	●	●	●	—	—	—	—	—	—	●	●	—	—	—	●	—	—	—	●
GXiCount-04AI	4Ch	●	●	—	●	●	●	—	—	—	—	—	—	●	●	—	—	—	●	—	—	—	●
GXiCount-08AI	8Ch	●	●	—	●	●	●	—	—	—	—	—	—	●	●	—	—	—	●	—	—	—	●
GXiCount-16AI	16Ch	●	●	—	●	●	●	—	—	—	—	—	—	●	●	—	—	—	●	—	—	—	●
GXiPro-01AI	1Ch	●	●	●	●	●	●	●	●	●	●	●	●	●	●	●	●	●	●	●	●	●	●
GXiPro-04AI	4Ch	●	●	●	●	●	●	●	●	●	●	●	●	●	●	●	●	●	●	●	●	●	●
GXiPro-08AI	8Ch	●	●	●	●	●	●	●	●	●	●	●	●	●	●	●	●	●	●	●	●	●	●
GXiPro-16AI	16Ch	●	●	●	●	●	●	●	●	●	●	●	●	●	●	●	●	●	●	●	●	●	●

All specifications are subject to change without notice.