

EG6Z0915TCS-MPWIR

**6X 9mm - 50mm F1.5 Day & Night
for 1/1.8 type Megapixel Cameras, Motorized Vari-focal, Stepping Motor Iris
i-CS Control (I²C), CS-Mount**

Optical Specifications

Model No.		EG6Z0915TCS-MPWIR		Min. Objective Distance		3m from front of lens	
Focal Length		9mm - 50mm		Effective Lens Aperture		Front:φ44.7mm Rear:φ9.6mm	
F-Number	Wide	F1.5 - F16C		Back Focal Length	Wide	9.2 mm (in Air)	
	Tele	F1.6 - F16C			Tele	9.2 mm (in Air)	
Max. Image Format		7.1mm x 5.4mm (φ8.9mm)		Flange Back Length		12.5mm (In Air)	
Angle of View	Diagonal	1/1.8 type	52.5° ~ 10.2°	1/1.8 type	52.5° ~ 10.2°	1/2.7 type	39.4° ~ 7.7°
	Horizontal	(16:9)	46.1° ~ 9.0°	(4:3)	42.3° ~ 8.2°	(16:9)	34.5° ~ 6.7°
	Vertical		26.3° ~ 5.2°		32.4° ~ 6.3°		19.5° ~ 3.8°
	Diagonal	1/2.8 type	38.5° ~ 7.5°	1/3 type	35.9° ~ 7.0°		
	Horizontal	(16:9)	33.7° ~ 6.6°	(4:3)	28.8° ~ 5.7°		
	Vertical		19.1° ~ 3.8°		21.7° ~ 4.3°		

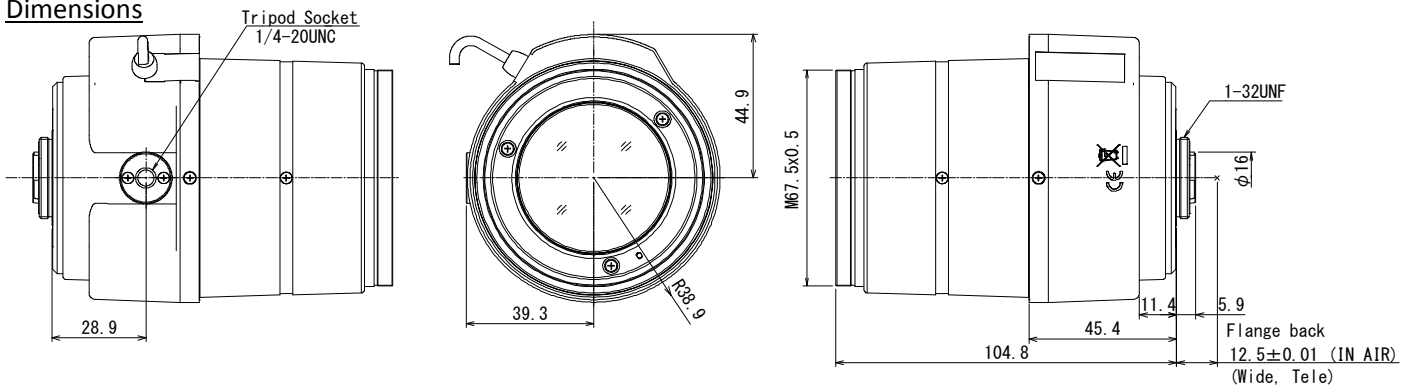
Mechanical & Electrical Specifications

i-CS Control (I ² C)	Iris, Focus, Zoom	Dimensions	As per the attached drawing
Maximum power consumption	1500mW	Mount	CS mount
Tripod Screw	1/4 -20UNC	Weight	291g
Operating Temperature	-20°C - +60°C (TBD)		

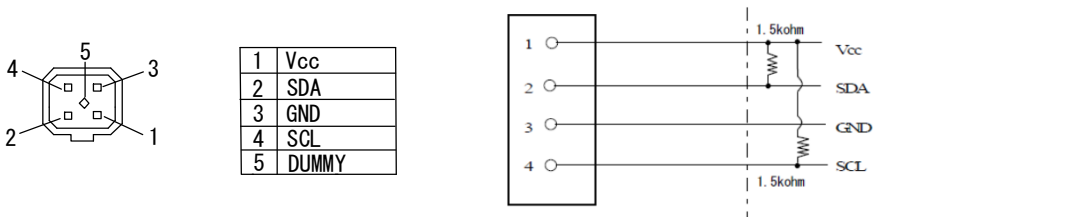
Communication Specifications

Interface	I ² C Bus	Lens Address	0x20(7bit mode)
Transmission mode	Standard mode	Clock stretching	Used
Transmission speed	100kHz	Supply Voltage (Vcc)	DC3.3V±10%

Dimensions



Wiring Diagram



Length of Wire

170±15 (mm)