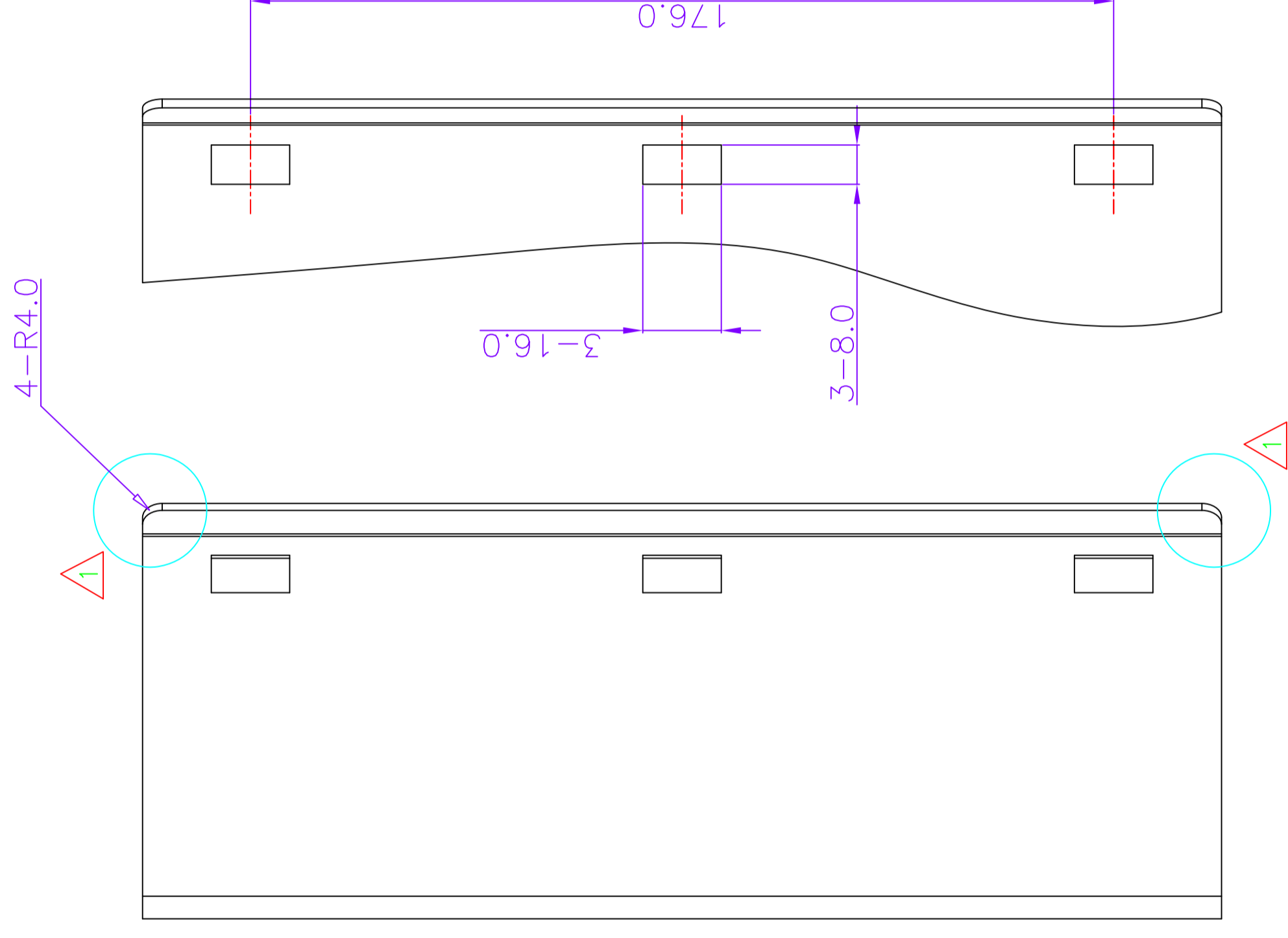
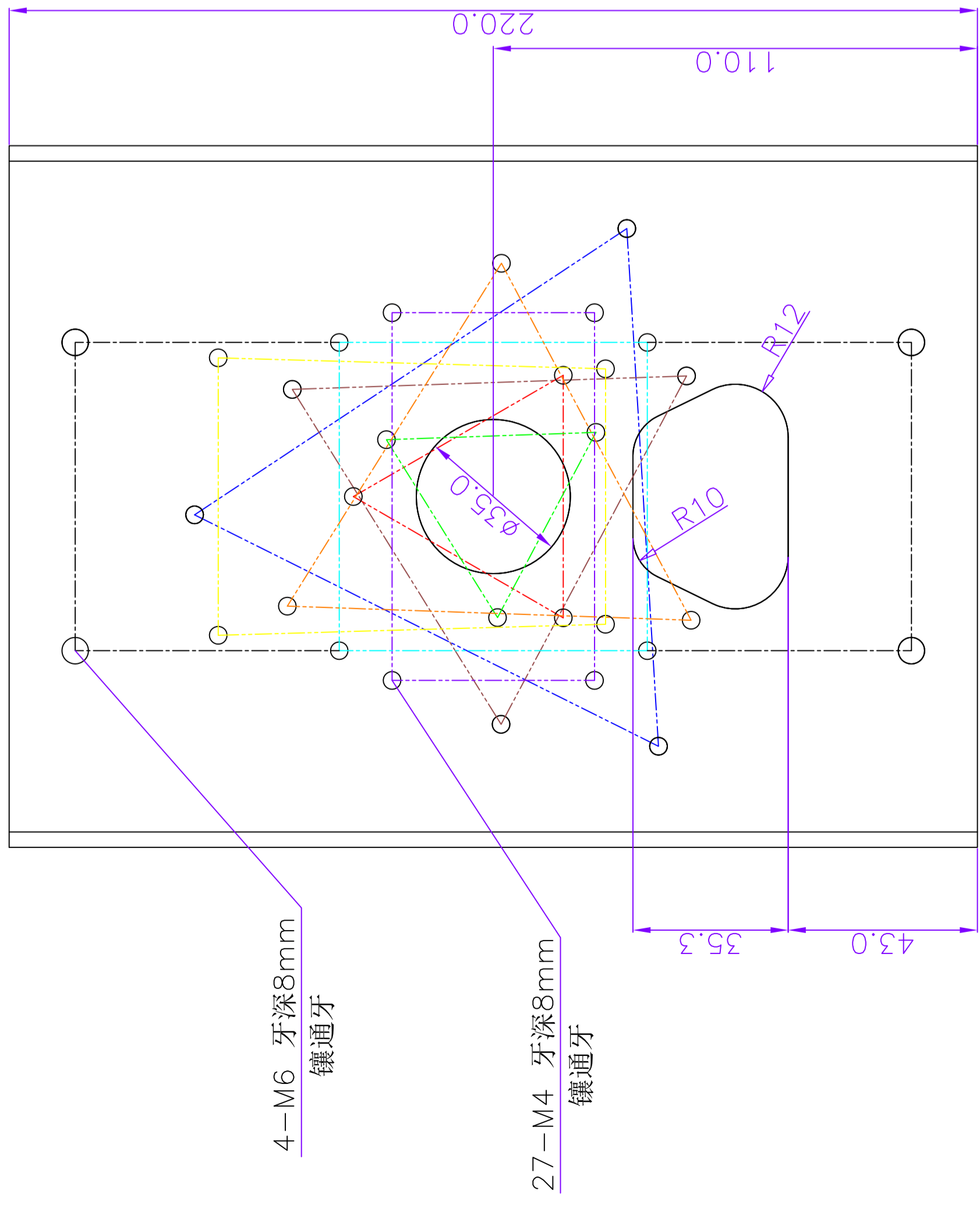
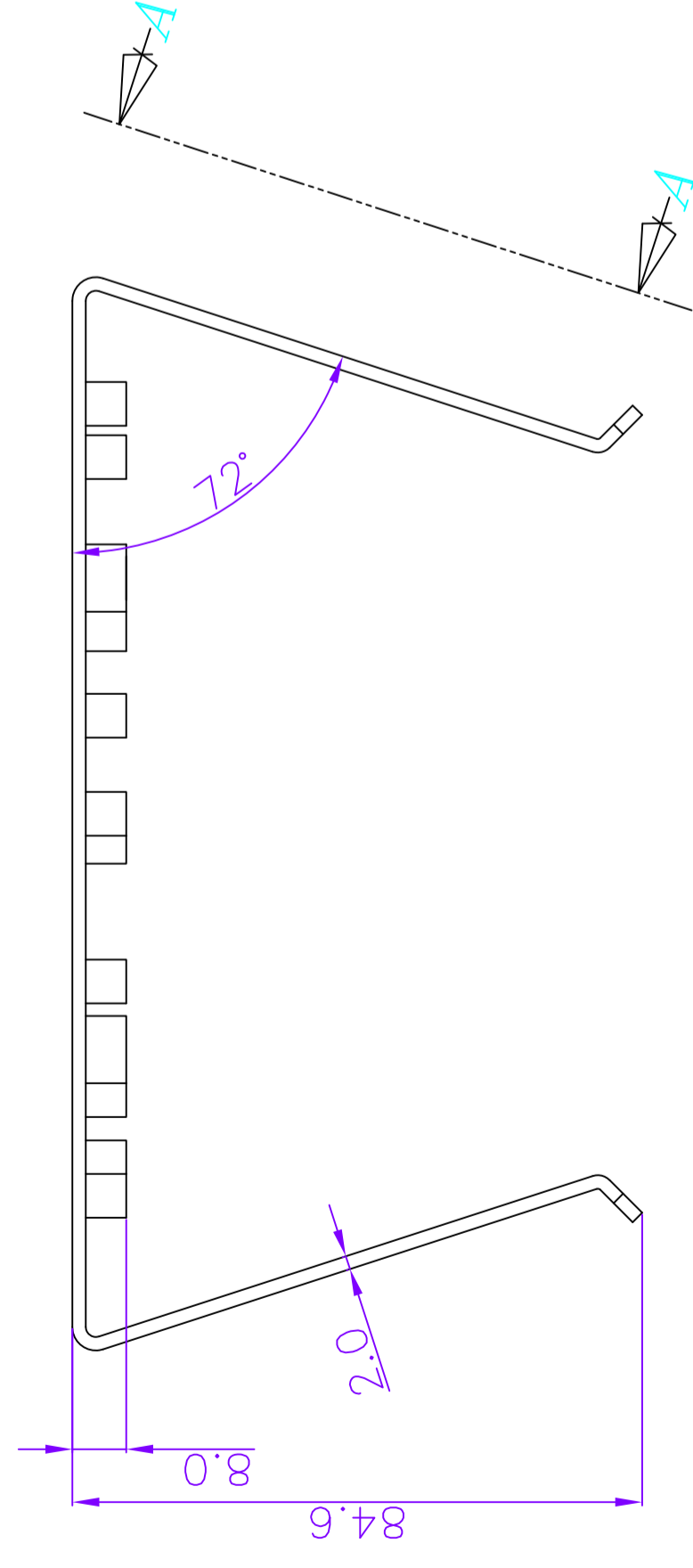
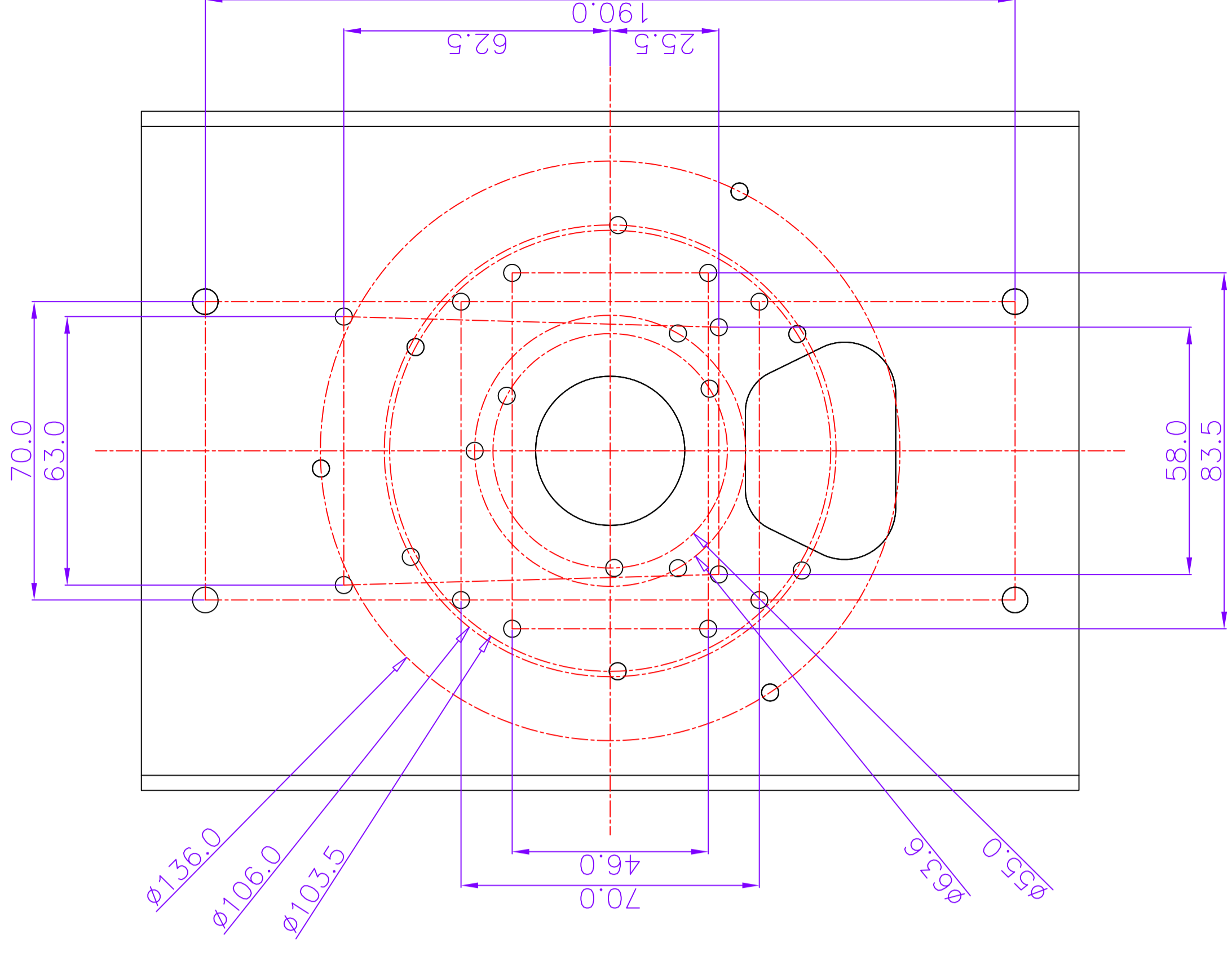


- AS0/AS1/CFE1 (室内/室外大半球)
- AM0 (室外小半球)
- CMB/CSB
- CMB2
- CSB2/CFE2/NEW JUNCTION BOX
- ABT
- ABE
- NEW WALL MOUNT BRACKET
- IRLAB JUNCTION BOX (大线盒)



SEC A-A



NO.	COUNT	REVISIONS	DATE (Y/M/D)	APPROVED
△	x	Add round(R4.0) to the four corners	21/04/28	
△	x		././	

No.	重点检验尺寸	SIZE	SCALE	QUANTITY	UNIT	REMARKS
A		A1	1 : 1	1	1	SPCC
B		DATE (Y/M/D)	19/09/10	MODEL		SHEET 1/1
C		S.M.WOO		DATE (Y/M/D)		POLE MOUNT BRACKET
D		DESIGNED		DATE (Y/M/D)		
		CHECKED		DATE (Y/M/D)		
		APPROVED		DATE (Y/M/D)		
		S.M.WOO		DATE (Y/M/D)		
		PART NO.				S1859AE01

UNLESS OTHERWISE SPECIFIED, DIMENSIONS ARE IN MILLIMETERS AND TOLERANCES ARE AS FOLLOWS:
 0 - 5 ±0.1
 5 - 15 ±0.15
 15 - 40 ±0.2
 40 - 200 ±0.3
 200 - ∞ ±0.5
 ANGULAR TOLERANCE ±0.5