

CBC AMERICA

INSTALLATION MANUAL – CMC Series Corner Mount Cameras

WARNING: Before beginning installation of this product, carefully review the safeguards and precautions found on page 2 of this manual.

Unpacking

Unpack carefully. This is electromechanical equipment and should be handled with care. If an item appears to have been damaged in shipment, replace it properly in its carton and notify the shipper. If any items are missing, notify CBC (America) Corp. The shipping carton is the safest container in which the unit may be transported. Save it for possible future use.

Service

If the unit ever needs repair service, the customer should contact CBC (America) Corp. for a return materials authorization (RMA) and shipping instructions.

Care and Maintenance

Perform routine maintenance to keep the unit dust free. Clean the viewing window as needed with a damp, soft cloth.

Model Designation

CMC-25X Corner Mount Camera

Description

This camera can be mounted in any 90-degree corner at any height desired. The unit includes four conduit knockout holes to accommodate many installation locations. The camera bracket can be adjusted to attached the desired viewing angle.

Hardware Kit

2 x #10 Screws
2 x Plastic Drywall Anchors

Tools Required

Small adjustable wrench
Small Phillips head screwdriver (PH0 or smaller)
1/4" Drill Bit
5/32" Drill Bit

Certification


Installation should be performed by a licensed professional and conform to the National Electrical Code (NEC) and any applicable local codes.

Installation

1. The camera can be mounted securely in any 90-degree corner at any height desired. Before mounting the camera, determine the approximate position and location required. Select the appropriate fasteners for the type of mounting surface. Also consider the cable entry path for power and video cables to the camera's location.
2. The camera provides four (4) mounting holes, two (2) on the top, and two (2) on the sides. It is recommended to use, at minimum, either the two top or the two side mounting points. Two (2) #10 fasteners with drywall anchors are provided in the hardware kit. For other mounting surfaces, verify the fastener type used will provide the strength required for the installation.
3. The camera provides four (4) conduit knockouts, two (2) on the top and two (2) on the sides. After the cable path is determined, select the appropriate knockout to use. Remove the camera faceplate by removing the two visible screws (front of camera). With the faceplate off, carefully remove the selected knockout for cable entry into the camera.

----- Instructions continue on Page 3-----

IMPORTANT SAFEGUARDS

1. Read Instructions - All the safety and operating instructions should be read before the unit is operated.
2. Retain Instructions - The safety and operating instructions should be retained for future reference.
3. Heed Warnings - All warnings on the unit and in the operating instructions should be adhered to.
4. Follow Instructions - All operating and use instructions should be followed.
5. Cleaning - Unplug the unit from the outlet before cleaning. Do not use liquid cleaners or aerosol cleaners. Use a damp cloth for cleaning.
6. Attachments - Do not use attachments not recommended by the product manufacturer as they may cause hazards.
7. Accessories - Do not place this unit on an unstable stand, tripod, bracket, or mount. The unit may fall, causing serious injury to a person and serious damage to the unit. Use only with a stand, tripod, bracket, or mount recommended by the manufacturer or sold with the product. Any mounting of the unit should follow the manufacturer's instructions and should use a mounting accessory recommended by the manufacturer.
 An appliance and cart combination should be moved with care. Quick stops, excessive force, and uneven surfaces may cause the appliance and cart combination to overturn.
8. Ventilation - Openings in the enclosure, if any, are provided for ventilation, to ensure reliable operation of the unit, and to protect it from overheating. These openings must not be blocked or covered. This unit should not be placed in a built-in installation unless proper ventilation is provided or the manufacturer's instructions have been adhered to.
9. Power Sources - This unit should be operated only from the type of power source indicated on the marking label. If you are not sure of the type of power supply you plan to use, consult your appliance dealer or local power company. For units intended to operate from battery power or other sources, refer to the operating instructions.
10. Grounding or Polarization - This unit may be equipped with a polarized alternating-current line plug (a plug having one blade wider than the other). This plug will fit into the power outlet only one way. This is a safety feature. If you are unable to insert the plug fully into the outlet, try reversing the plug. If the plug should still fail to fit, contact your electrician to replace your obsolete outlet. Do not defeat the safety purpose of the polarized plug. Alternatively, this unit may be equipped with a 3-wire grounding-type plug, a plug having a third (grounding) pin. This plug will only fit into a grounding-type power outlet. This is a safety feature. If you are unable to insert the plug into the outlet, contact your electrician to replace your obsolete outlet. Do not defeat the safety purpose of the grounding-type plug.
11. Power Cord Protection - Power supply cords should be routed so that they are not likely to be walked on or pinched by items placed upon or against them, paying particular attention to cords and plugs, convenience receptacles, and the point where they exit from the appliance.
12. Power Lines - An outdoor system should not be located in the vicinity of overhead power lines or other electric light or power circuits or where it can fall into such power lines or circuits. When installing an outdoor system, extreme care should be taken to keep from touching such power lines or circuits as contact with them might be fatal. U.S.A. models only - refer to the National Electrical Code Article 820 regarding installation of CATV systems.
13. Overloading - Do not overload outlets and extension cords as this can result in a fire or electric shock.
14. Object and Liquid Entry - Never push objects of any kind into this unit through openings, as they may touch dangerous voltage points or short out parts that could result in a fire or electric shock. Never spill liquid of any kind on the unit.
15. Servicing - Do not attempt to service this unit yourself as opening or removing covers may expose you to dangerous voltage or other hazards. Refer all servicing to qualified service personnel.
16. Damage Requiring Service - Unplug the unit from the outlet and refer servicing to qualified service personnel under the following conditions:
 - a. When the power supply cord or plug is damaged.
 - b. If liquid has been spilled or objects have fallen into the unit.
 - c. If the unit has been exposed to rain or water.
 - d. If the unit does not operate normally by following the operating instructions. Adjust only those controls that are covered by the operating instructions, as an improper adjustment of other controls may result in damage and will often require extensive work by a qualified technician to restore the unit to its normal operation.
 - e. If the unit has been dropped or the cabinet has been damaged.
 - f. When the unit exhibits a distinct change in performance--this indicates a need for service.
17. Replacement Parts - When replacement parts are required, be sure the service technician has used replacement parts specified by the manufacturer or have the same characteristics as the original part. Unauthorized substitutions may result in fire, electric shock, or other hazards.
18. Safety Check - Upon completion of any service or repairs to this unit, ask the service technician to perform safety checks to determine that the unit is in proper operating condition.
19. Coax Grounding - If an outside cable system is connected to the unit, be sure the cable system is grounded. U.S.A. models only--Section 810 of the National Electrical Code, ANSI/NFPA No.70-1981, provides information with respect to proper grounding of the mount and supporting structure, grounding of the coax to a discharge unit, size of grounding conductors, location of discharge unit, connection to grounding electrodes, and requirements for the grounding electrode.
20. Lightning - For added protection of this unit during a lightning storm, or when it is left unattended and unused for long periods of time, unplug it from the wall outlet and disconnect the cable system. This will prevent damage to the unit due to lightning and power line surges.

FCC NOTICE

This equipment generates and uses radio frequency energy and if not installed and used properly, that is, in strict accordance with the manufacturer's instructions, may cause interference to radio and television reception. It has been type tested and found to comply with the limits for a Class B computing device in accordance with Part 15 of FCC Rules, which are designed to provide reasonable protection against such interference in a residential installation. However, there is no guarantee that interference will not occur in a particular installation. If this equipment does cause interference to radio or television reception, which can be determined by turning the equipment off and on, the user is encouraged to try to correct the interference by one or more of the following measures:

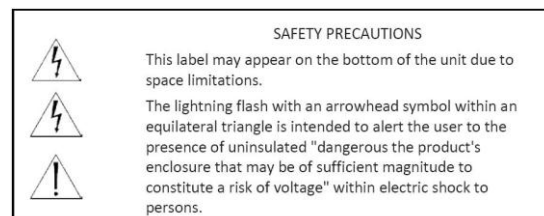
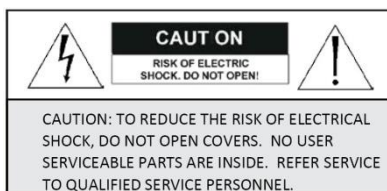
Relocate the monitor away from the TV/radio receiver.

Plug the monitor into a different wall outlet so that the console is on a different branch circuit.

Re-orient the TV/radio antenna.

If necessary, the user should consult the dealer or an experienced radio/television technician for additional suggestions.

NOTE: Changes or modifications to the unit may void FCC compliance.



Installation (Cont'd)

4. Hold the camera in the desired mounting position. Mark the location of at least the two top holes or the two side holes. Mark the location of the cable entry knockout. If the camera is not mounting against the ceiling, it is recommended to use a level to position the camera before marking the hole locations.
5. After hole locations are marked, drill appropriate sized holes for the cable type and connectors being used. Drill appropriate size holes for the fasteners selected depending on the type of mounting surface. If using the fasteners provided, drill a 1/4" hole for the drywall anchors and tap them lightly into place. If no anchor is required, drill 5/32" holes for the fasteners.
6. Position the camera back case in place over the drilled holes and install the fasteners. Tighten until secure.
7. Connect 12VDC power and video to the camera. Using the adjustable mounting bracket, move the

camera to the desired field of view. Tighten the side screws on the camera bracket with a small Phillips head screwdriver (PH0 or smaller).

8. Refer to the camera manual provided to adjust camera settings by accessing the OSD menu.
9. The camera faceplate provided includes a tinted viewing window. In low light conditions, it may be desirable to use a clear viewing window. A clear window is provided with the camera. To change the window, remove the two (2) nuts securing the window retaining plate using a small adjustable wrench. Remove the plate and the window. Place the clear window in the window frame, replace the retaining plate, and secure it in place by tightening the nuts to equal pressure.
10. Reinstall the camera faceplate. Position the locating pin at the bottom of the camera case. Slide the faceplate up to align the two threaded holes. Install the screws and tighten to finish.

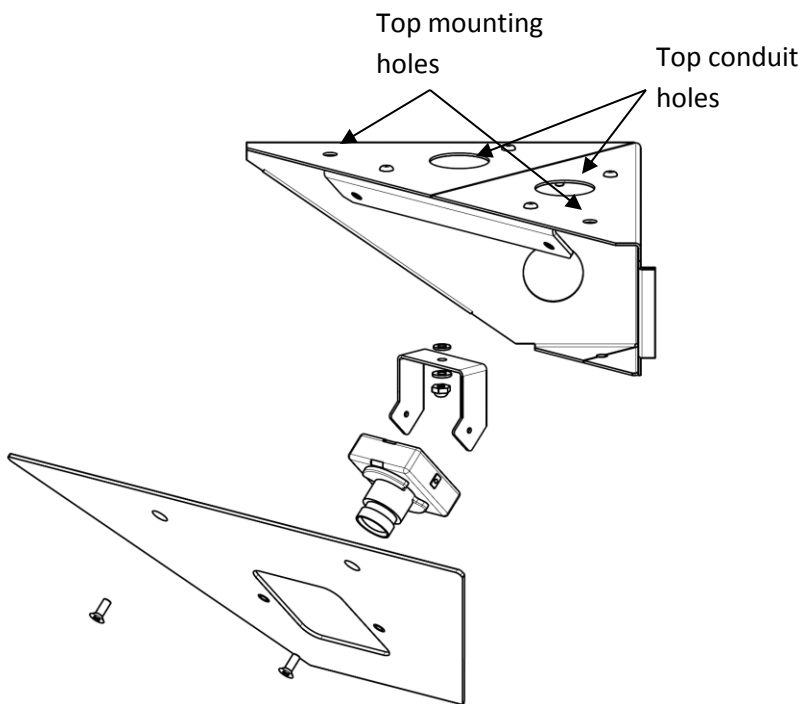


Figure 2 - Exploded View of Corner Camera

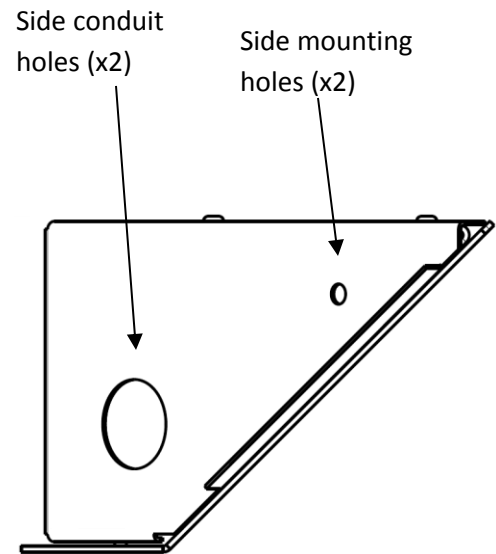


Figure 1 - Side View of Corner Camera