

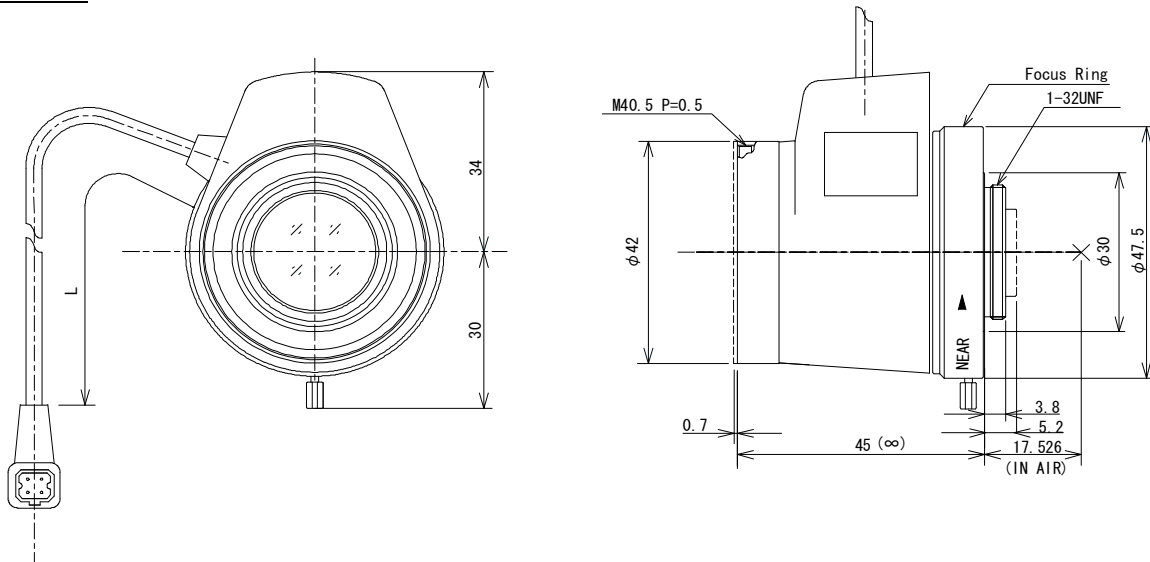
MG1616KC-MP

f=16mm F1.6

**for 2/3 type 5 Megapixel Cameras, Fixed-focal, Stepping Motor Iris
C-Mount**

Model No.	MG1616KC-MP		Effective	Front	ϕ 21.9mm		
Focal Length	16mm		Lens Aperture	Rear	ϕ 11.0mm		
Max. Aperture Ratio	1:1.6		Back Focal Length		13.3mm		
Max. Image Format	6.6mm x 8.8mm(ϕ 11mm)		Flange Back Length		17.526mm		
Operation Range	Iris	F1.6 - F16C		Mount	C-Mount		
	Focus	1m - Inf.		Filter Size	M40.5 x 0.5		
	Zoom	-		Dimensions	ϕ 42mm x 57.8mm x 45mm		
Control	Iris	Stepping Motor		Weight	110 g		
	Focus	Manual					
	Zoom	-					
Angle of View	D	2/3 type	38.0°	1/2 type	28.1°	1/3 type	21.3°
	H		30.8°		22.7°		17.1°
	V		23.4°		17.1°		12.9°
Operating Temperature	-10°C - +50°C						

Dimensions



Wiring Diagram

