

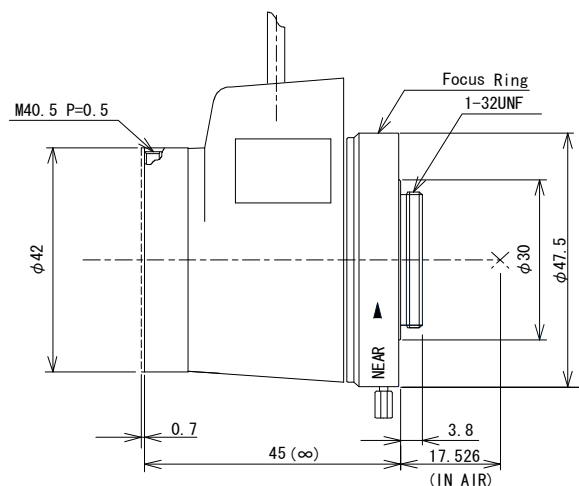
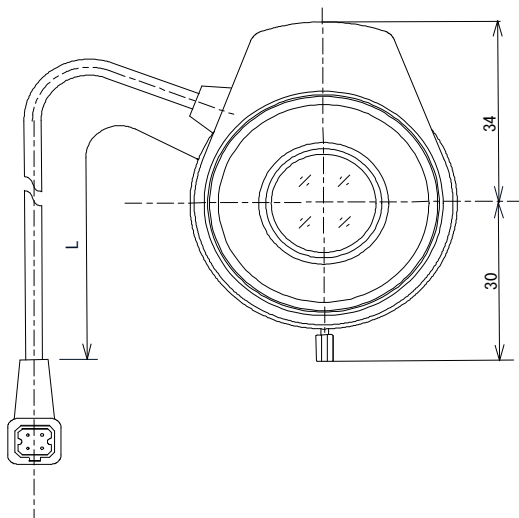
MG0918KC-MP

f=9mm F1.8

for 2/3 type 5 Megapixel Cameras, Fixed-focal, Stepping Motor Iris
C-Mount

| | | | | | | | |
|-----------------------|-----------------------|----------------|--------------------|-------------|------------------------|----------|-------|
| Model No. | MG0918KC-MP | | Effective | Front | φ 20.1mm | | |
| Focal Length | 9mm | | Lens Aperture | Rear | φ 12.4mm | | |
| Max. Aperture Ratio | 1:1.8 | | Back Focal Length | | 14.8mm | | |
| Max. Image Format | 6.6mm x 8.8mm(φ 11mm) | | Flange Back Length | | 17.526mm | | |
| Operation Range | Iris | F1.8 - F16C | | Mount | C-Mount | | |
| | Focus | 1m - Inf. | | Filter Size | M40.5 × 0.5 | | |
| | Zoom | - | | Dimensions | φ 42mm × 57.8mm × 45mm | | |
| Control | Iris | Stepping Motor | | Weight | 105 g | | |
| | Focus | Manual | | | | | |
| | Zoom | - | | | | | |
| Angle of View | D | 2/3 type | 63.4° | 1/2 type | 47.8° | 1/3 type | 36.4° |
| | H | | 52.1° | | 38.7° | | 29.3° |
| | V | | 39.9° | | 29.3° | | 22.1° |
| Operating Temperature | -10°C - +50°C | | | | | | |

Dimensions



Wiring Diagram

