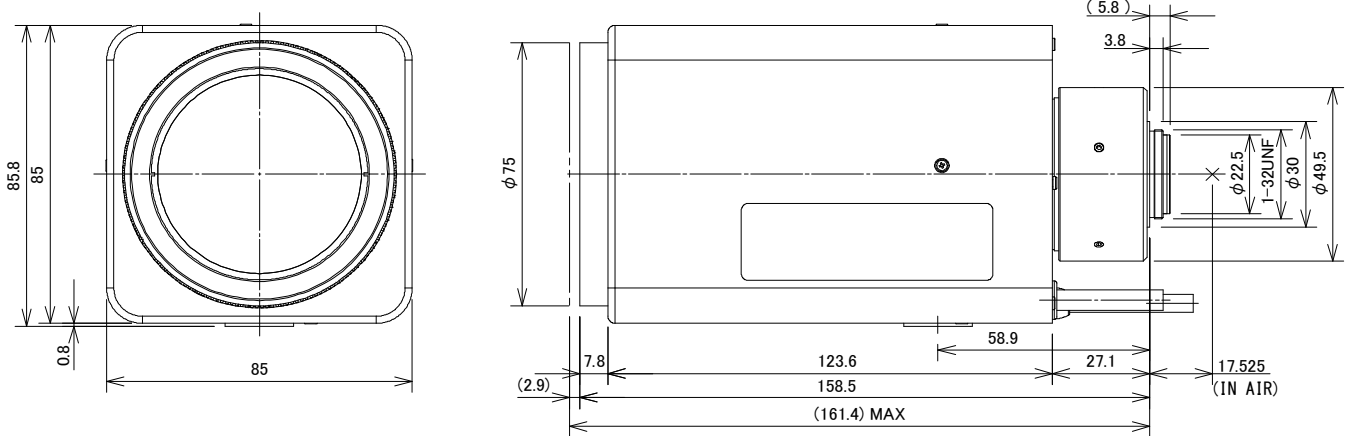


E17Z8816PDC-MP

17X 8.8mm-150mm F1.6
for 1/1.8 type 3 Megapixel Cameras, Motorized Zoom
C-Mount

Model No.		E17Z8816PDC-MP		Effective	Front	φ 56.6mm	
Focal Length		8.8mm - 150mm		Lens Aperture	Rear	φ 14.9mm	
Max. Aperture Ratio		1:1.6		Back Focal Length		13.5mm	
Max. Image Circle		φ 8.9mm		Flange Back Length		17.526mm	
Operation Range	Iris	F1.6 - F500C		Mount		C-Mount	
	Focus	4m - Inf.		Filter Size		M72 P=0.75mm	
	Zoom	8.8mm - 150mm		Tripod Screw		1/4 -20UNC	
Control	Iris	DC Auto Iris		Dimensions		W85mm x H85.8mm x D158.5mm	
	Focus	Motorized		Weight		1160g	
	Zoom	Motorized					
Angle of View	D	1/1.8 type (4:3)	54.4° - 3.4°	1/2 type (4:3)	49.3° - 3.1°	1/3 type (4:3)	37.4° - 2.3°
	H		44.1° - 2.8°		39.9° - 2.5°		30.1° - 1.9°
	V		33.4° - 2.1°		30.1° - 1.9°		22.7° - 1.4°
		Iris		Focus		Zoom	
Supply Voltage		---		DC6V		DC6V	
Current		---		90mA or less		90mA or less	
Response Time		---		Approx. 5.4 sec.		Approx. 6.4 sec.	
Preset Potentiometer		---		5k Ω VR		5k Ω VR	
Coil	Drive	190 Ω					
	Control	1000 Ω					
Operating Temperature		-10°C - +50°C					

Dimensions



Wiring Diagram

PRESET POTENTIOMETER

