

UL Classified Explosion-Proof Housings

HEX Series

Features:

- UL/cUL Classified
- Designed to meet ATEX / IEC Ex Certification (pending)
- For use in Hazardous Locations (HazLoc)
- Chemically-strengthened glass viewing window
- Durable aluminum construction
- IP66 / NEMA 4X for all weather conditions
- Operating temperature range (-4 ~ +122°F)
- Indoor/outdoor installation
- Made in the USA

Explosion-Proof Housings allow electrical equipment to be installed in hazardous environments containing flammable vapors, gases, or dust. The housings are designed to prevent any ignition or spark caused by the electronics inside from igniting the surrounding flammable atmosphere.

The HEX Series UL-classified explosion-proof housings are available in three (3) sizes ranging from 4- to 6.6-inches in diameters. They are designed to enclose a camera and lens to provide surveillance in hazardous environments. The unit is suitable for outdoor operation and are classified as enclosures for use in Hazardous Locations (HazLoc).

The HEX enclosure includes cable entry ports in the rear of the unit and a generic camera-mounting platform sized to accept various camera and lens combinations. They can be attached to a variety of fixed mounts or an explosion-proof Pan/Tilt base (optional). An optional sun shield is also available.

HEX Series

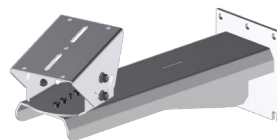
Explosion-Proof Housing

Specifications

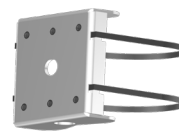
UL/cUL Classification	Class I, Div 1, Groups C,D. Class II, Div 1, Groups E,F,G.		
ATEX/IECEX Certification (pending)	Ex db IIB Gb, Ex tb IIIC Db		
Safety Standards	UL 1203, Explosion-Proof and Dust-Ignition-Proof Electrical Equipment for Use in Hazardous (Classified) Locations		
	UL 2062, Enclosures For Use In Hazardous (Classified) Locations		
	CSA C22.2 No. 25-17, Enclosures for use in Class II Groups E, F, and G Hazardous Locations		
	CSA C33.3 No. 30, Explosion-Proof Equipment		
Environmental	IP66 / NEMA 4X for all weather conditions		
Cable Entry	2 x ½" NPT threaded holes		
Window Construction	Tempered Borosilicate glass		
Housing Construction	Aluminum with stainless steel fasteners		
Finish	Powder coat paint		
Models	HEX-40140	HEX-50175	HEX-66205
Dimensions W x H x L	6.0" x 6.2" x 14.3" 152 x 157.5 x 362mm	8.0" x 8.2" x 18.3" 203 x 208 x 465mm	10" x 10.5" x 21.3" 254 x 267 x 541mm
Internal Dimensions	12" L x ø 3.5" 304.8 L x ø 89mm	15" L x ø 4.5" 381 x ø 114mm	18" L x ø 6.0" 457 x ø 152mm
Window Area	ø 2.2" (ø 57mm)	ø 2.7" (ø 69mm)	ø 3.3" (ø 81mm)
Window Thickness	0.5" (13mm)	0.5" (13mm)	0.5" (13mm)
Weight	9.8 lbs (4.4 kg)	20 lbs (9.1 kg)	36.6 lbs (16.6 kg)
Operating Temp	-4 ~ +122°F (-20 ~ +50°C)		

Specifications are subject to change without notice.

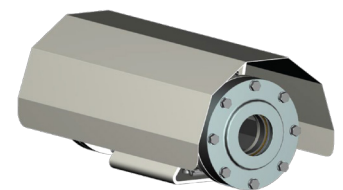
Accessories



Wall Mount
HEX-WMT



Pole Mount
HEX-PM



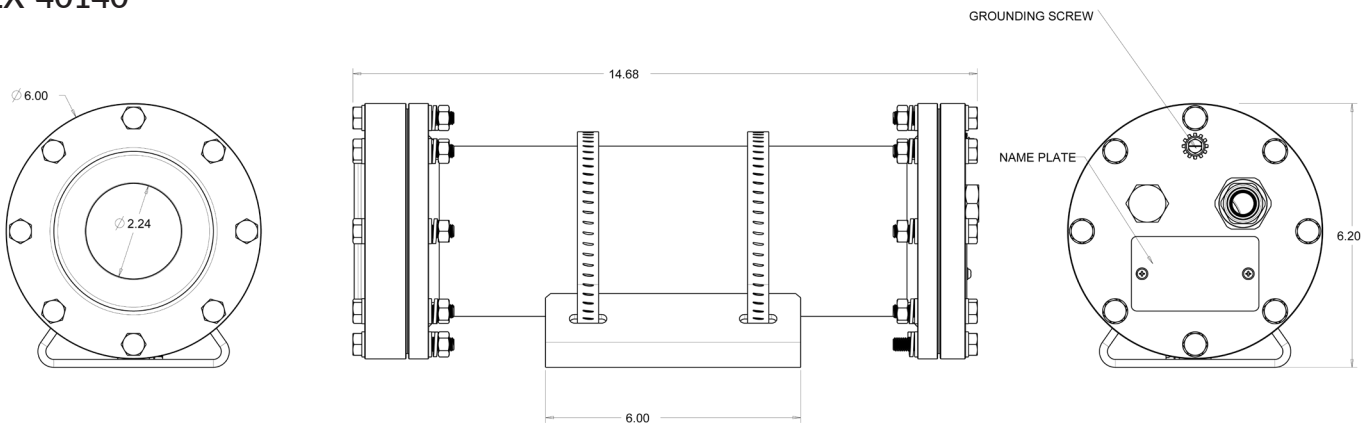
Sun Shield
HEX-SS

HEX Series

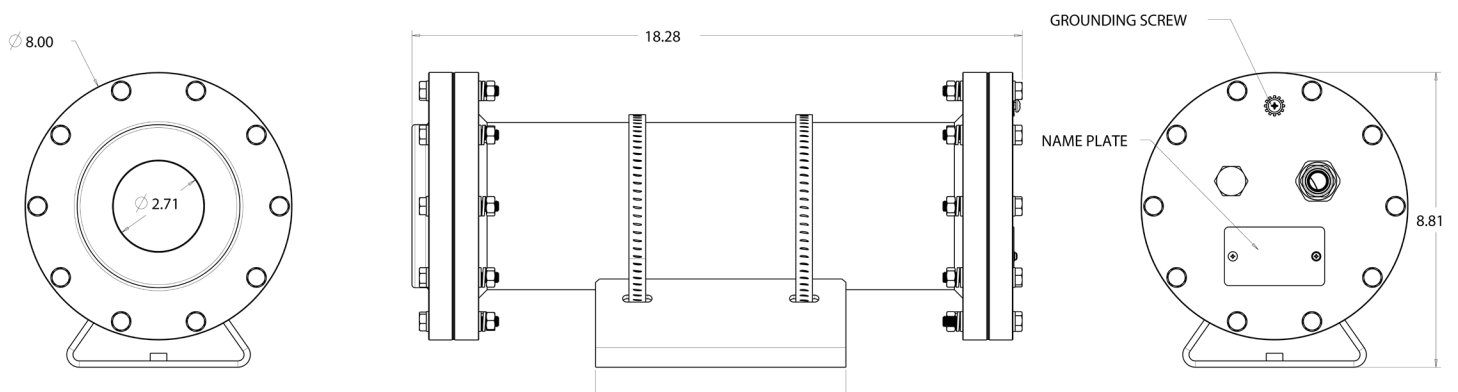
Explosion-Proof Housing

Dimensions

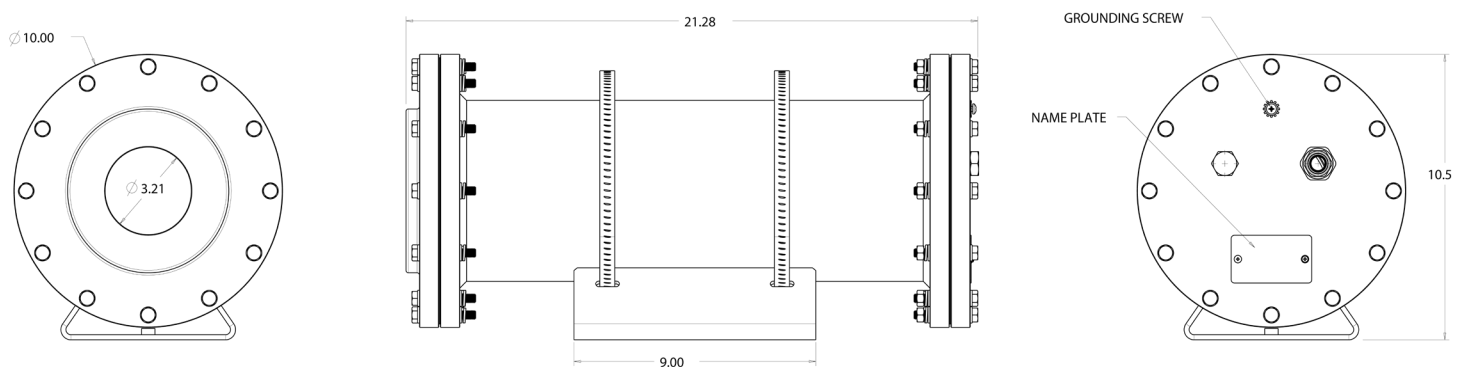
HEX-40140



HEX-50175



HEX-66205



Specifications are subject to change without notice.