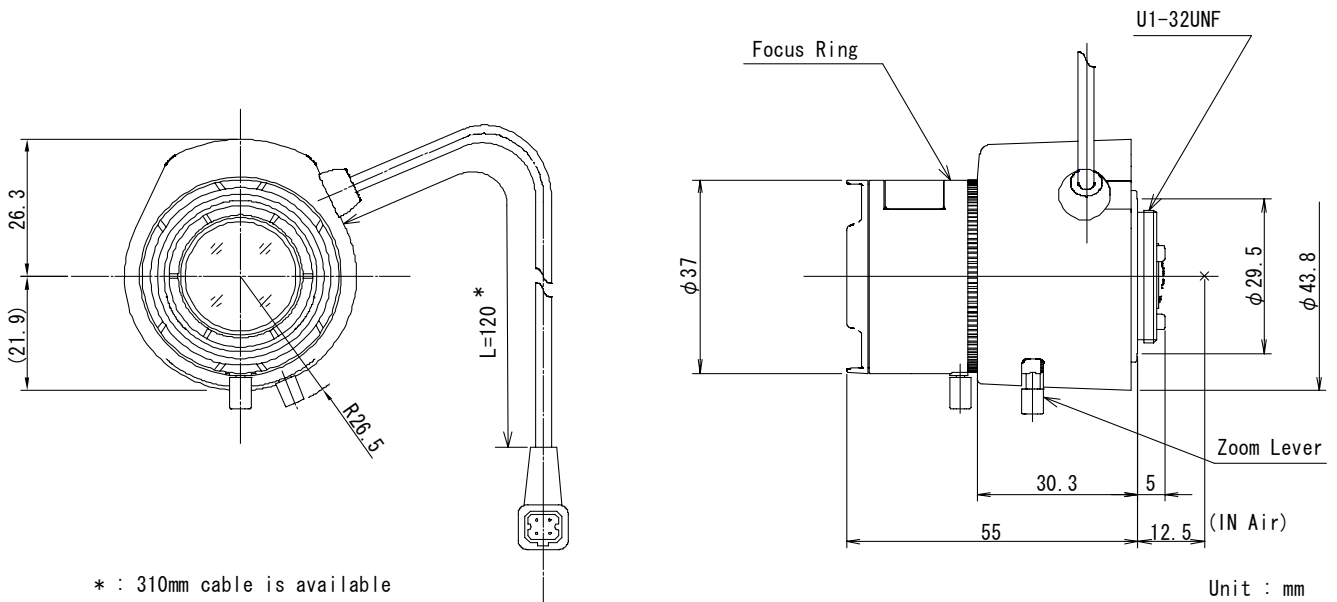


AG3Z3112KCS-MPIR

2.6X 3.1mm-8mm F1.2 Day & Night
for 1/2.7 type Megapixel Cameras, Vari-focal Auto Iris Stepping Motor
CS-Mount

Model No.	AG3Z3112KCS-MPIR		Effective	Front	φ 20.9mm		
Focal Length	3.1mm - 8mm		Lens Aperture	Rear	φ 10.5mm		
Max. Aperture Ratio	1:1.2		Back Focal	Tele	7.8mm		
Max. Image Format	5.8mm x 3.2mm(φ 6.6mm)		Length	Wide	7.8mm		
Operation Range	Iris	F1.2 - F16C	Flange Back Length		12.5mm		
	Focus	0.3m - Inf.	Mount		CS-Mount		
	Zoom	3.1mm - 8mm	Filter Size		—		
Control	Iris	Stepping Motor	Dimensions		φ 37mm x 48.2mm x 55mm		
	Focus	Manual	Weight		57.0g		
	Zoom	Manual					
Angle of View	D	1/2.7 type	123.1° - 48.3°	1/2.7 type	123.1° - 48.3°	1/3 type	110.3° - 43.9°
	H	(16:9)	105.4° - 42.2°	(4:3)	95.9° - 38.7°	(4:3)	86.7° - 35.2°
	V		57.9° - 23.8°		71.0° - 29.1°		64.4° - 26.5°
Operating Temperature	-10°C - +50°C						

Dimensions



Wiring Diagram

